

# PARTS LIST

## CAUTION

- The parts identified by the  $\triangle$  symbol are important for the safety . Whenever replacing these parts, be sure to use specified ones to secure the safety .
- The parts not indicated in this Parts List and those which are filled with lines --- in the Parts No. columns will not be supplied .
- P. W. Board Ass'y will not be supplied, but those which are filled with the Parts No. in the Parts No. columns will be supplied .

## ABBREVIATIONS OF RESISTORS, CAPACITORS AND TOLERANCES

| RESISTORS |  | CAPACITORS      |   |
|-----------|--|-----------------|---|
| C R       | Carbon Resistor                                  | C CAP.          | Ceramic Capacitor                             |
| F R       | Fusible Resistor                                 | E CAP.          | Electrolytic Capacitor                        |
| P R       | Plate Resistor                                   | M CAP.          | Mylar Capacitor                               |
| V R       | Variable Resistor                                | HV CAP.         | High Voltage Capacitor                        |
| HV R      | High Voltage Resistor                            | MF CAP.         | Metalized Film Capacitor                      |
| MF R      | Metal Film Resistor                              | MM CAP.         | Metalized Mylar Capacitor                     |
| MG R      | Metal Glazed Resistor                            | MP CAP.         | Metalized Polystyrol Capacitor                |
| MP R      | Metal Plate Resistor                             | PP CAP.         | Polypropylene Capacitor                       |
| OM R      | Metal Oxide Film Resistor                        | PS CAP.         | Polystyrol Capacitor                          |
| CMF R     | Coating Metal Film Resistor                      | TF CAP.         | Thin Film Capacitor                           |
| UNF R     | Non-Flammable Resistor                           | MPP CAP.        | Metalized Polypropylene Capacitor             |
| CH V R    | Chip Variable Resistor                           | TAN. CAP.       | Tantalum Capacitor                            |
| CH MG R   | Chip Metal Glazed Resistor                       | CH C CAP.       | Chip Ceramic Capacitor                        |
| COMP. R   | Composition Resistor                             | BP E CAP.       | Bi-Polar Electrolytic Capacitor               |
| LPTC R    | Linear Positive Temperature Coefficient Resistor | CH AL E CAP.    | Chip Aluminum Electrolytic Capacitor          |
|           |  | CH AL BP CAP.   | Chip Aluminum Bi-Polar Capacitor              |
|           |  | CH TAN. E CAP.  | Chip Tantalum Electrolytic Capacitor          |
|           |  | CH AL BP E CAP. | Chip Tantalum Bi-Polar Electrolytic Capacitor |

| RESISTORS |     |     |      |      |      |              |              |              |             |
|-----------|-----|-----|------|------|------|--------------|--------------|--------------|-------------|
| F         | G   | J   | K    | M    | N    | R            | H            | Z            | P           |
| ±1%       | ±2% | ±5% | ±10% | ±20% | ±30% | +30%<br>-10% | +50%<br>-10% | +80%<br>-20% | +100%<br>0% |

# CONTENTS

|  |           |
|--|-----------|
| <b>USING P.W. BOARD &amp; REMOTE CONTROL UNIT .....</b>  | <b>37</b> |
| <b>EXPLODED VIEW PARTS LIST .....</b>  | <b>38</b> |
| <b>EXPLODED VIEW .....</b>   | <b>39</b> |
| <br>   |           |
| <b>PRINTED WIRING BOARD PARTS LIST (AV-32230/AG)</b>   |           |
| MAIN PW BOARD ASS'Y .....  | 40        |
| CRT SOCKET PW BOARD ASS'Y .....  | 43        |
| FRONT CONTROL PW BOARD ASS'Y .....   | 43        |
| FRONT AV INPUT PW BOARD ASS'Y .....  | 44        |
| AV SELECTOR PW BOARD ASS'Y .....   | 44        |
| <b>REMOTE CONTROL UNIT PARTS LIST (RM-C306-1A).....</b>  | <b>45</b> |
| <b>DIFFERENCE PARTS LIST BETWEEN AV-32230/AG, AV-32230/AH, AV-32230/AM AND AV-32230/AR .....</b> | <b>46</b> |
| <br>   |           |
| <b>PRINTED WIRING BOARD PARTS LIST (AV-32260/AH)</b>   |           |
| MAIN PW BOARD ASS'Y .....  | 47        |
| CRT SOCKET PW BOARD ASS'Y .....  | 50        |
| FRONT CONTROL PW BOARD ASS'Y .....   | 50        |
| FRONT AV INPUT PW BOARD ASS'Y .....  | 50        |
| PIP PW BOARD ASS'Y .....   | 51        |
| AV SELECTOR PW BOARD ASS'Y .....   | 51        |
| <b>REMOTE CONTROL UNIT PARTS LIST (RM-C305-1A).....</b>  | <b>53</b> |
| <b>DIFFERENCE PARTS LIST BETWEEN AV-32260/AH, AV-32260/AG, AV-32260/AM AND AV-32260/AR .....</b> | <b>54</b> |
| <br>   |           |
| <b>PACKING / PACKING PARTS LIST .....</b>  | <b>55</b> |

## USING P.W. BOARD & REMOTE CONTROL UNIT

### [AV-32230]

| P.W.B ASS'Y \ Model     | AV-32230/AG  | AV-32230/AH  | AV-32230/AM  | AV-32230/AR  |
|-------------------------|--------------|--------------|--------------|--------------|
| MAIN PW BOARD           | SGC-1029A-M2 | SGC-1030A-M2 | SGC-1032A-M2 | SGC-1031A-M2 |
| CRT SOCKET PW BOARD     | SGC-3003A-M2 | SGC-3004A-M2 | SGC-3005A-M2 | SGC-3011A-M2 |
| FRONT CONTROL PW BOARD  | SGC-8502A-M2 | ←            | ←            | ←            |
| FRONT AV INPUT PW BOARD | SGC-8602A-M2 | ←            | ←            | ←            |
| AV SELECTOR PW BOARD    | SGC0S004A-M2 | ←            | ←            | ←            |
| REMOTE CONTROL UNIT     | RM-C306-1A   | ←            | ←            | ←            |

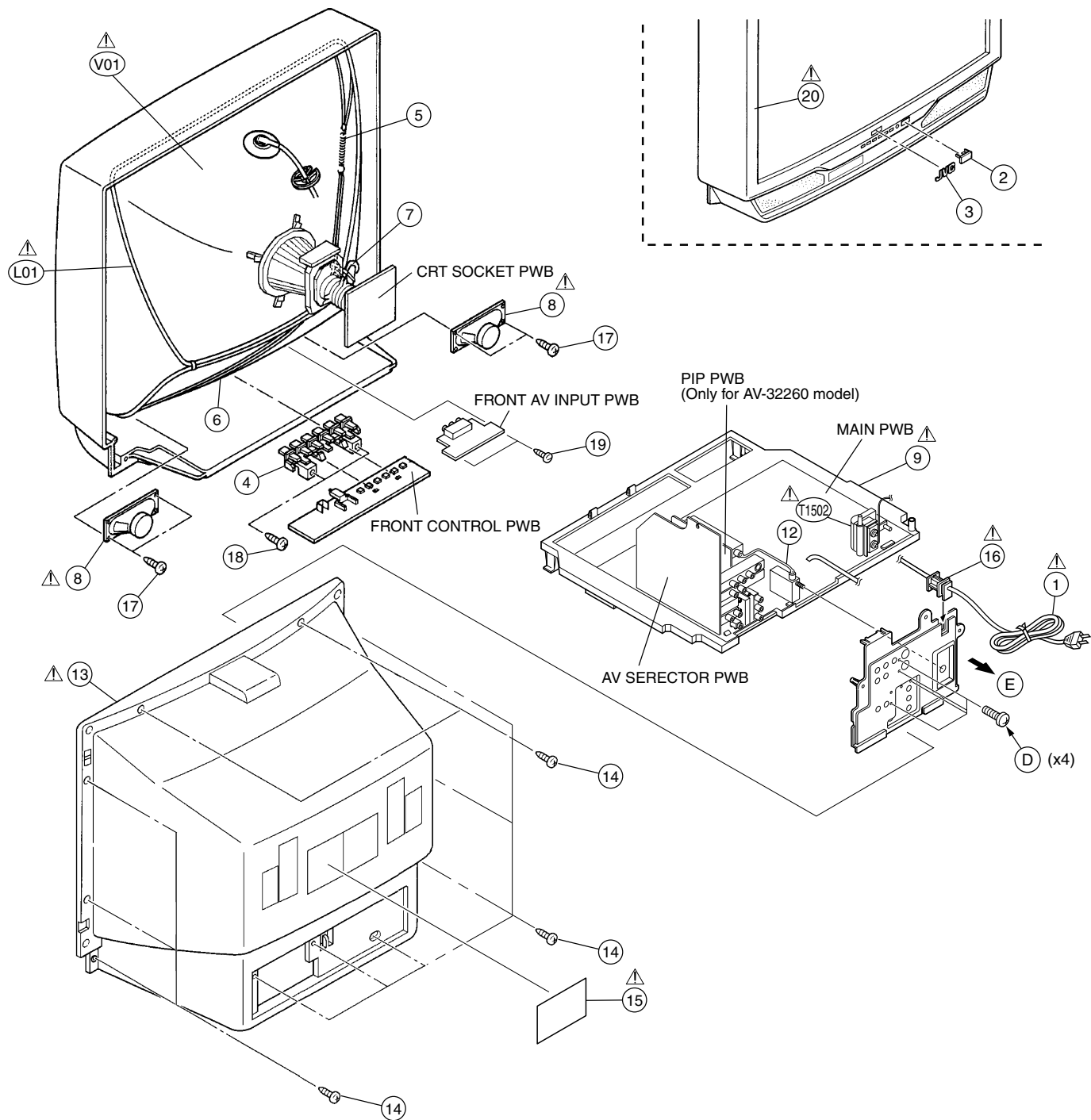
### [AV-32260]

| P.W.B ASS'Y \ Model     | AV-32260/AG  | AV-32260/AH  | AV-32260/AM  | AV-32260/AR  |
|-------------------------|--------------|--------------|--------------|--------------|
| MAIN PW BOARD           | SGC-1021A-M2 | SGC-1022A-M2 | SGC-1024A-M2 | SGC-1023A-M2 |
| CRT SOCKET PW BOARD     | SGC-3003A-M2 | SGC-3004A-M2 | SGC-3005A-M2 | SGC-3011A-M2 |
| FRONT CONTROL PW BOARD  | SGC-8502A-M2 | ←            | ←            | ←            |
| FRONT AV INPUT PW BOARD | SGC-8602A-M2 | ←            | ←            | ←            |
| PIP PW BOARD            | SGC0P001A-M2 | ←            | ←            | ←            |
| AV SELECTOR PW BOARD    | SGC0S003A-M2 | ←            | ←            | ←            |
| REMOTE CONTROL UNIT     | RM-C305-1A   | ←            | ←            | ←            |

# EXPLODED VIEW PARTS LIST

| △ Ref.No. | Part No.       | Part Name      | Description                                    | Local |
|-----------|----------------|----------------|--|-------|
| △ L01     | CELD066-002JA  | DEG COIL       | (AV-32230/AH & AM & AR, AV-32260/AH & AM & AR) |       |
| △ L01     | QQW0086-001    | DEG COIL       | (AV-32230/AG, AV-32260/AG)                     |       |
| △ T1502   | QQH0100-001    | FBT            | Within MAIN PWB                                |       |
| △ V01     | A80QCF240X14L  | CRT            | Inc. DY(AV-32230/AG, AV-32260/AG)              |       |
| △ V01     | A80LJF30X08-G  | CRT            | Inc. DY(AV-32230/AH, AV-32260/AH)              |       |
| △ V01     | M80JUA061X06   | CRT            | Inc. DY(AV-32230/AM, AV-32260/AM)              |       |
| △ V01     | A80AEJ15X01    | CRT            | Inc. DY(AV-32230/AR, AV-32260/AR)              |       |
| △ 1       | QMPD200-200-JC | POWER CORD     | CN10PW Within MAIN PWB                         |       |
| 2         | CM35983-001-H  | REMOCON WINDOW |  |       |
| 3         | CM48006-006-C  | JVC MARK       |  |       |
| 4         | LC20674-001A-A | CONTROL KNOB   |  |       |
| 5         | A48457-4-S     | SPRING         |  |       |
| 6         | WJY0016-002A   | BRAIDED WIRE   |  |       |
| 7         | WJY0013-004A   | BRAIDED WIRE   |  |       |
| △ 8       | CEBSS12D-04KJ2 | SPEAKER        | (x2) SP01, SP02                                |       |
| △ 9       | LC10883-001C-A | CHASSIS BASE   |  |       |
| △ 10      | LC20899-002A-A | TERMINAL BOARD |  |       |
| 11        | QYSBSB3010Z    | TAPPING SCREW  | (x4)   |       |
| 12        | WJX0014-002A   | E-COAXIAL ASSY | (Only for AV-32260)                            |       |
| △ 13      | CM12915-003-MA | REAR COVER     |  |       |
| 14        | QYSBSFG4016Z   | TAPPING SCREW  | (x11)  |       |
| △ 15      | LC31139-001A-A | RATING LABEL   |  |       |
| △ 16      | LC20106-001D-A | CORD CLAMP     |  |       |
| 17        | QYSBSB4012Z    | TAPPING SCREW  | (x4)   |       |
| 18        | QYSBSBG3010Z   | TAPPING SCREW  | (x2)   |       |
| 19        | QYSBSBG4012Z   | TAPPING SCREW  | (x2)   |       |
| △ 20      | CM12914-010-MA | FRONT CABINET  |  |       |

# EXPLODED VIEW



**PRINTED WIRING BOARD PARTS LIST (AV-32230/AG)****MAIN PW BOARD ASS'Y (SGC-1029A-M2)**

| △ Symbol No.    | Part No.     | Part Name | Description   | Local | △ Symbol No.    | Part No.     | Part Name | Description       | Local |
|-----------------|--------------|-----------|---------------|-------|-----------------|--------------|-----------|-------------------|-------|
| <b>RESISTOR</b> |              |           |               |       | <b>RESISTOR</b> |              |           |                   |       |
| R1001           | NRSA63J-473X | MG R      | 47kΩ 1/16W J  |       | R1511           | QRE121J-220Y | C R       | 22Ω 1/2W J        |       |
| R1002           | NRSA63J-0R0X | MG R      | 0.0Ω 1/16W J  |       | R1512           | QRE121J-681Y | C R       | 680Ω 1/2W J       |       |
| R1003-04        | NRSA63J-221X | MG R      | 220Ω 1/16W J  |       | △ R1523         | QRJ146J-333X | C R       | 33kΩ 1/4W J       |       |
| R1011           | NRSA63J-820X | MG R      | 82Ω 1/16W J   |       | △ R1525         | QRZ9011-470  | F R       | 47Ω 1/2W J        |       |
| R1012           | NRSA63J-182X | MG R      | 1.8kΩ 1/16W J |       | R1526           | QRE121J-272Y | C R       | 2.7kΩ 1/2W J      |       |
| R1013           | NRSA63J-562X | MG R      | 5.6kΩ 1/16W J |       | R1527-28        | QRE121J-154Y | C R       | 150kΩ 1/2W J      |       |
| R1014           | QRE121J-101Y | C R       | 100Ω 1/2W J   |       | R1529           | NRSA63J-331X | MG R      | 330Ω 1/16W J      |       |
| R1015           | NRSA63J-180X | MG R      | 18Ω 1/16W J   |       | △ R1531         | QRJ146J-391X | C R       | 390Ω 1/4W J       |       |
| R1016           | NRSA63J-270X | MG R      | 27Ω 1/16W J   |       | R1532           | NRSA63J-273X | MG R      | 27kΩ 1/16W J      |       |
| R1018           | NRSA63J-104X | MG R      | 100kΩ 1/16W J |       | R1533-34        | NRSA63J-123X | MG R      | 12kΩ 1/16W J      |       |
| R1020           | NRSA63J-332X | MG R      | 3.3kΩ 1/16W J |       | △ R1535         | NRVA02D-222X | MF R      | 2.2kΩ 1/10W ±0.5% |       |
| R1021           | NRSA63J-123X | MG R      | 12kΩ 1/16W J  |       | △ R1537         | NRVA02D-752X | MF R      | 7.5kΩ 1/10W ±0.5% |       |
| R1022           | NRSA63J-151X | MG R      | 150Ω 1/16W J  |       | R1538           | NRSA63J-333X | MG R      | 33kΩ 1/16W J      |       |
| R1023           | NRSA63J-101X | MG R      | 100Ω 1/16W J  |       | R1543           | QRE121J-122Y | C R       | 1.2kΩ 1/2W J      |       |
| R1024           | NRSA63J-102X | MG R      | 1kΩ 1/16W J   |       | R1544           | QRE121J-392Y | C R       | 3.9kΩ 1/2W J      |       |
| R1025           | NRSA63J-561X | MG R      | 560Ω 1/16W J  |       | R1545           | QRE121J-822Y | C R       | 8.2kΩ 1/2W J      |       |
| R1026           | NRSA63J-331X | MG R      | 330Ω 1/16W J  |       | R1546           | NRSA63J-331X | MG R      | 330Ω 1/16W J      |       |
| R1028           | NRSA63J-821X | MG R      | 820Ω 1/16W J  |       | R1547           | NRSA63J-104X | MG R      | 100kΩ 1/16W J     |       |
| R1038           | NRSA63J-272X | MG R      | 2.7kΩ 1/16W J |       | R1548           | QRE121J-152Y | C R       | 1.5kΩ 1/2W J      |       |
| R1041           | NRSA63J-272X | MG R      | 2.7kΩ 1/16W J |       | R1553           | QRL039J-180  | OM R      | 18Ω 3W J          |       |
| R1042-43        | NRSA63J-102X | MG R      | 1kΩ 1/16W J   |       | R1601-03        | NRSA63J-750X | MG R      | 75Ω 1/16W J       |       |
| R1047           | NRSA63J-153X | MG R      | 15kΩ 1/16W J  |       | R1610-12        | NRSA63J-0R0X | MG R      | 0.0Ω 1/16W J      |       |
| R1048           | NRSA63J-154X | MG R      | 150kΩ 1/16W J |       | R1621           | NRSA63J-222X | MG R      | 2.2kΩ 1/16W J     |       |
| R1101-02        | NRSA63J-101X | MG R      | 100Ω 1/16W J  |       | R1622           | NRSA63J-221X | MG R      | 220Ω 1/16W J      |       |
| R1111           | NRSA63J-105X | MG R      | 1MΩ 1/16W J   |       | R1623           | NRSA63J-222X | MG R      | 2.2kΩ 1/16W J     |       |
| R1131           | NRSA63J-0R0X | MG R      | 0.0Ω 1/16W J  |       | R1624           | NRSA63J-221X | MG R      | 220Ω 1/16W J      |       |
| R1134           | NRSA63J-562X | MG R      | 5.6kΩ 1/16W J |       | R1626-27        | NRSA63J-223X | MG R      | 22kΩ 1/16W J      |       |
| R1135-39        | NRSA63J-102X | MG R      | 1kΩ 1/16W J   |       | R1631           | NRSA63J-333X | MG R      | 33kΩ 1/16W J      |       |
| R1140           | NRSA63J-562X | MG R      | 5.6kΩ 1/16W J |       | R1632           | NRSA63J-223X | MG R      | 22kΩ 1/16W J      |       |
| R1201           | NRSA63J-333X | MG R      | 33kΩ 1/16W J  |       | R1634           | NRSA63J-0R0X | MG R      | 0.0Ω 1/16W J      |       |
| R1231           | NRSA63J-0R0X | MG R      | 0.0Ω 1/16W J  |       | R1700-02        | NRSA63J-102X | MG R      | 1kΩ 1/16W J       |       |
| R1237           | NRSA63J-392X | MG R      | 3.9kΩ 1/16W J |       | R1704-05        | NRSA63J-472X | MG R      | 4.7kΩ 1/16W J     |       |
| R1238           | NRSA63J-473X | MG R      | 47kΩ 1/16W J  |       | R1706-07        | NRSA63J-103X | MG R      | 10kΩ 1/16W J      |       |
| R1241           | NRSA63J-332X | MG R      | 3.3kΩ 1/16W J |       | R1708-09        | NRSA63J-101X | MG R      | 100Ω 1/16W J      |       |
| R1243           | NRSA63J-152X | MG R      | 1.5kΩ 1/16W J |       | R1715           | NRSA63J-103X | MG R      | 10kΩ 1/16W J      |       |
| R1281           | NRSA63J-182X | MG R      | 1.8kΩ 1/16W J |       | R1721-22        | NRSA63J-102X | MG R      | 1kΩ 1/16W J       |       |
| R1282           | NRSA63J-392X | MG R      | 3.9kΩ 1/16W J |       | R1724           | NRSA63J-102X | MG R      | 1kΩ 1/16W J       |       |
| R1283           | NRSA63J-681X | MG R      | 680Ω 1/16W J  |       | R1726           | NRSA63J-102X | MG R      | 1kΩ 1/16W J       |       |
| R1286           | NRSA63J-472X | MG R      | 4.7kΩ 1/16W J |       | R1728           | NRSA63J-102X | MG R      | 1kΩ 1/16W J       |       |
| R1287           | NRSA63J-101X | MG R      | 100Ω 1/16W J  |       | R1729           | NRSA63J-223X | MG R      | 22kΩ 1/16W J      |       |
| R1288           | NRSA02J-471X | MG R      | 470Ω 1/10W J  |       | R1731-32        | NRSA63J-101X | MG R      | 100Ω 1/16W J      |       |
| R1289           | NRSA63J-154X | MG R      | 150kΩ 1/16W J |       | R1733-34        | NRSA63J-562X | MG R      | 5.6kΩ 1/16W J     |       |
| R1290           | NRSA02J-561X | MG R      | 560Ω 1/10W J  |       | R1737           | NRSA63J-222X | MG R      | 2.2kΩ 1/16W J     |       |
| R1292           | NRSA63J-124X | MG R      | 120kΩ 1/16W J |       | R1738           | NRSA63J-102X | MG R      | 1kΩ 1/16W J       |       |
| R1293           | NRSA63J-224X | MG R      | 220kΩ 1/16W J |       | R1739           | NRSA63J-272X | MG R      | 2.7kΩ 1/16W J     |       |
| R1294           | NRSA63J-101X | MG R      | 100Ω 1/16W J  |       | R1740           | NRSA63J-103X | MG R      | 10kΩ 1/16W J      |       |
| R1295           | NRSA63J-222X | MG R      | 2.2kΩ 1/16W J |       | R1741           | NRSA63J-0R0X | MG R      | 0.0Ω 1/16W J      |       |
| R1301-03        | NRSA63J-222X | MG R      | 2.2kΩ 1/16W J |       | R1742-44        | NRSA63J-103X | MG R      | 10kΩ 1/16W J      |       |
| R1304-06        | NRSA63J-101X | MG R      | 100Ω 1/16W J  |       | R1749-51        | NRSA63J-222X | MG R      | 2.2kΩ 1/16W J     |       |
| R1354-55        | NRSA63J-0R0X | MG R      | 0.0Ω 1/16W J  |       | R1752           | NRSA63J-102X | MG R      | 1kΩ 1/16W J       |       |
| R1356           | NRSA63J-123X | MG R      | 12kΩ 1/16W J  |       | R1753           | NRSA63J-0R0X | MG R      | 0.0Ω 1/16W J      |       |
| R1359           | NRSA63J-103X | MG R      | 10kΩ 1/16W J  |       | R1754           | NRSA63J-102X | MG R      | 1kΩ 1/16W J       |       |
| R1360           | NRSA63J-0R0X | MG R      | 0.0Ω 1/16W J  |       | R1755           | NRSA63J-153X | MG R      | 15kΩ 1/16W J      |       |
| R1421           | NRSA63J-822X | MG R      | 8.2kΩ 1/16W J |       | R1756           | NRSA63J-103X | MG R      | 10kΩ 1/16W J      |       |
| R1423-24        | NRSA63J-393X | MG R      | 39kΩ 1/16W J  |       | R1764-68        | NRSA63J-221X | MG R      | 220Ω 1/16W J      |       |
| R1426           | NRSA63J-183X | MG R      | 18kΩ 1/16W J  |       | R1769           | NRSA63J-682X | MG R      | 6.8kΩ 1/16W J     |       |
| R1427           | QRT029J-1R5  | MF R      | 1.5Ω 2W J     |       | R1772           | NRSA63J-103X | MG R      | 10kΩ 1/16W J      |       |
| R1429           | NRSA63J-272X | MG R      | 2.7kΩ 1/16W J |       | R1775           | NRSA63J-473X | MG R      | 47kΩ 1/16W J      |       |
| R1430           | NRSA63J-0R0X | MG R      | 0.0Ω 1/16W J  |       | R1776           | NRSA63J-103X | MG R      | 10kΩ 1/16W J      |       |
| R1431           | NRSA63J-152X | MG R      | 1.5kΩ 1/16W J |       | R1793-95        | NRSA63J-331X | MG R      | 330Ω 1/16W J      |       |
| R1432           | NRSA63J-101X | MG R      | 100Ω 1/16W J  |       | R1798-99        | NRSA63J-103X | MG R      | 10kΩ 1/16W J      |       |
| R1433           | NRSA63J-681X | MG R      | 680Ω 1/16W J  |       | R1800           | NRSA63J-102X | MG R      | 1kΩ 1/16W J       |       |
| R1434           | QRL029J-181  | OM R      | 180Ω 2W J     |       | R1801-04        | NRSA63J-0R0X | MG R      | 0.0Ω 1/16W J      |       |
| R1435           | QRE121J-102Y | C R       | 1kΩ 1/2W J    |       | R1806           | NRSA63J-0R0X | MG R      | 0.0Ω 1/16W J      |       |
| R1441-42        | NRSA63J-0R0X | MG R      | 0.0Ω 1/16W J  |       | R1807           | NRSA63J-222X | MG R      | 2.2kΩ 1/16W J     |       |
| R1444           | NRSA63J-183X | MG R      | 18kΩ 1/16W J  |       | R1810           | NRSA63J-0R0X | MG R      | 0.0Ω 1/16W J      |       |
| R1445           | NRSA63J-103X | MG R      | 10kΩ 1/16W J  |       | R1811           | NRSA63J-473X | MG R      | 47kΩ 1/16W J      |       |
| R1501           | NRSA63J-0R0X | MG R      | 0.0Ω 1/16W J  |       | R1812           | NRSA63J-102X | MG R      | 1kΩ 1/16W J       |       |
| R1502           | NRSA63J-271X | MG R      | 270Ω 1/16W J  |       | R1814           | NRSA63J-104X | MG R      | 100kΩ 1/16W J     |       |
| R1503           | QRE121J-103Y | C R       | 10kΩ 1/2W J   |       | R1815           | NRSA63J-154X | MG R      | 150kΩ 1/16W J     |       |
| R1504           | QRL039J-102  | OM R      | 1kΩ 3W J      |       | R1816           | NRSA63J-0R0X | MG R      | 0.0Ω 1/16W J      |       |
| R1505           | QRL039J-821  | OM R      | 820Ω 3W J     |       | R1817           | NRSA63J-104X | MG R      | 100kΩ 1/16W J     |       |

| △                | Symbol No. | Part No.     | Part Name | Description | Local | △                | Symbol No. | Part No.     | Part Name | Description        | Local |
|------------------|------------|--------------|-----------|-------------|-------|------------------|------------|--------------|-----------|--------------------|-------|
| <b>RESISTOR</b>  |            |              |           |             |       | <b>CAPACITOR</b> |            |              |           |                    |       |
|                  | R1818      | NRSA63J-0R0X | MG R      | 0.0Ω 1/16W  | J     |                  | C1237      | NCB31HK-103X | C CAP.    | 0.01μF 50V         | K     |
|                  | R1821      | NRSA63J-104X | MG R      | 100kΩ 1/16W | J     |                  | C1281      | QFV71HJ-474Z | MF CAP.   | 0.47μF 50V         | J     |
|                  | R1822      | NRSA63J-0R0X | MG R      | 0.0Ω 1/16W  | J     |                  | C1282      | QETN1CM-227Z | E CAP.    | 220μF 16V          | M     |
|                  | R1824      | NRSA63J-103X | MG R      | 10kΩ 1/16W  | J     |                  | C1283      | NCB31HK-103X | C CAP.    | 0.01μF 50V         | K     |
|                  | R1827      | NRSA63J-102X | MG R      | 1kΩ 1/16W   | J     |                  | C1284      | QETN1HM-225Z | E CAP.    | 2.2μF 50V          | M     |
|                  | R1856      | QRX039J-6R8  | MF R      | 6.8Ω        | J     |                  | C1285      | NCB31HK-103X | C CAP.    | 0.01μF 50V         | K     |
| △                | R1857      | QRL029J-270  | OM R      | 27Ω         | 2W    | J                | C1286      | QETN1HM-106Z | E CAP.    | 10μF 50V           | M     |
| △                | R1858      | QRL029J-470  | OM R      | 47Ω         | 2W    | J                | C1287      | QETN1CM-107Z | E CAP.    | 100μF 16V          | M     |
| △                | R1901      | QRF074K-R47  | UNF R     | 0.47Ω       | 7W    | K                | C1288      | NCB31HK-103X | C CAP.    | 0.01μF 50V         | K     |
| △                | R1909      | QRG01GJ-470  | OM R      | 47Ω         | 1W    | J                | C1352      | QETN1CM-336Z | E CAP.    | 33μF 16V           | M     |
|                  | R1911      | QRE121J-223Y | C R       | 22kΩ 1/2W   | J     |                  | C1354      | QFV71HJ-154Z | MF CAP.   | 0.15μF 50V         | J     |
|                  | R1912-13   | QRT029J-R22  | MF R      | 0.22Ω       | 2W    | J                | C1391      | QETN1CM-107Z | E CAP.    | 100μF 16V          | M     |
|                  | R1914      | QRK126J-681X | C R       | 680Ω 1/2W   | J     |                  | C1392      | NCB31HK-103X | C CAP.    | 0.01μF 50V         | K     |
|                  | R1915      | QRE121J-6R8Y | C R       | 6.8Ω 1/2W   | J     |                  | C1393-95   | NCB31EK-104X | C CAP.    | 0.1μF 25V          | K     |
|                  | R1917      | QRK126J-332X | C R       | 3.3kΩ 1/2W  | J     |                  | C1421      | NCB21HK-102X | C CAP.    | 1000pF 50V         | K     |
|                  | R1918      | QRE121J-222Y | C R       | 2.2kΩ 1/2W  | J     |                  | C1422      | QFLC1HJ-103Z | M CAP.    | 0.01μF 50V         | J     |
|                  | R1919      | QRE121J-684Y | C R       | 680kΩ 1/2W  | J     |                  | C1424      | QETN1VM-107Z | E CAP.    | 100μF 35V          | M     |
|                  | R1924      | QRE121J-222Y | C R       | 2.2kΩ 1/2W  | J     |                  | C1425      | QETN1VM-477Z | E CAP.    | 470μF 35V          | M     |
|                  | R1930      | QRE121J-223Y | C R       | 22kΩ 1/2W   | J     |                  | C1427      | QETN1HM-105Z | E CAP.    | 1μF 50V            | M     |
|                  | R1939      | QRT039J-2R2  | MF R      | 2.2Ω        | 3W    | J                | C1428      | QETM1EM-228  | E CAP.    | 2200μF 25V         | M     |
|                  | R1940      | QRE121J-181Y | C R       | 180Ω 1/2W   | J     |                  | C1430      | NCB21CK-474X | C CAP.    | 0.47μF 16V         | K     |
|                  | R1941      | QRL029J-183  | OM R      | 18kΩ 2W     | J     |                  | C1431      | QFLC2AK-563Z | M CAP.    | 0.056μF 100V       | K     |
|                  | R1951      | NRSA63J-473X | MG R      | 47kΩ 1/16W  | J     |                  | C1433      | QETN1EM-476Z | E CAP.    | 47μF 25V           | M     |
|                  | R1952      | NRSA63J-102X | MG R      | 1kΩ 1/16W   | J     |                  | C1434      | NDC21HJ-100X | C CAP.    | 10pF 50V           | J     |
|                  | R1953      | QRE121J-820Y | C R       | 82Ω 1/2W    | J     |                  | C1435      | NCB21HK-183X | C CAP.    | 0.018μF 50V        | K     |
|                  | R1973      | QRE121J-272Y | C R       | 2.7kΩ 1/2W  | J     |                  | C1501      | QCB32HK-151Z | C CAP.    | 150pF 500V         | K     |
|                  | R1975      | QRE121J-223Y | C R       | 22kΩ 1/2W   | J     |                  | C1502      | QCB32HK-331Z | C CAP.    | 330pF 500V         | K     |
|                  | R1977      | QRE121J-473Y | C R       | 47kΩ 1/2W   | J     |                  | C1503      | QEHR2CM-105Z | E CAP.    | 1μF 160V           | M     |
|                  | R1978      | NRSA63J-333X | MG R      | 33kΩ 1/16W  | J     |                  | C1504      | QEZ0203-107  | E CAP.    | 100μF 160V         | M     |
|                  | R1979-80   | QRT029J-1R2  | MF R      | 1.2Ω        | 2W    | J                | C1507-08   | QEM61HK-475Z | E CAP.    | 4.7μF 50V          | K     |
| △                | R1998      | QRZ9041-275  | C R       | 2.7MΩ 1/2W  | K     |                  | △ C1510    | QFZ0196-602  | MPP CAP.  | 6000pF 1.5kVH ±3%  |       |
|                  | R1999      | QRE121J-121Y | C R       | 120Ω 1/2W   | J     |                  | △ C1513    | QFZ0198-133  | MPP CAP.  | 0.013μF 1.5kVH ±3% |       |
| <b>CAPACITOR</b> |            |              |           |             |       |                  | △ C1514    | QFP32GJ-183  | PP CAP.   | 0.018μF 400V       | J     |
|                  | C1001      | QETN1HM-475Z | E CAP.    | 4.7μF 50V   | M     |                  | △ C1515    | QFZ0197-754  | MPP CAP.  | 0.75μF 250V        | J     |
|                  | C1002      | QETN1HM-106Z | E CAP.    | 10μF 50V    | M     |                  | C1516      | QCB32HK-561Z | C CAP.    | 560pF 500V         | K     |
|                  | C1003      | QETN1CM-108Z | E CAP.    | 1000μF 16V  | M     |                  | C1521      | QETN2EM-106Z | E CAP.    | 10μF 250V          | M     |
|                  | C1011-12   | NCB31HK-103X | C CAP.    | 0.01μF 50V  | K     |                  | C1523      | QEHR1EM-108Z | E CAP.    | 1000μF 25V         | M     |
|                  | C1014      | QETN1CM-107Z | E CAP.    | 100μF 16V   | M     |                  | C1525      | QETN1VM-107Z | E CAP.    | 100μF 35V          | M     |
|                  | C1015-16   | NCB31HK-103X | C CAP.    | 0.01μF 50V  | K     |                  | C1526      | QFV21HJ-824Z | MF CAP.   | 0.82μF 50V         | J     |
|                  | C1021      | QFV71HJ-824Z | MF CAP.   | 0.82μF 50V  | J     |                  | C1527      | QFLC2AJ-103Z | M CAP.    | 0.01μF 100V        | J     |
|                  | C1023      | QETN1CM-107Z | E CAP.    | 100μF 16V   | M     |                  | C1531      | QCB32HK-102Z | C CAP.    | 1000pF 500V        | K     |
|                  | C1024      | NCB31HK-103X | C CAP.    | 0.01μF 50V  | K     |                  | C1533      | QETN1HM-106Z | E CAP.    | 10μF 50V           | M     |
|                  | C1025      | NCB31HK-102X | C CAP.    | 1000pF 50V  | K     |                  | C1601-03   | QETN1EM-476Z | E CAP.    | 47μF 25V           | M     |
|                  | C1026      | QETN1HM-474Z | E CAP.    | 0.47μF 50V  | M     |                  | C1609-11   | QFV71HJ-104Z | MF CAP.   | 0.1μF 50V          | J     |
|                  | C1027      | NCB21HK-104X | C CAP.    | 0.1μF 50V   | K     |                  | C1621      | NCB31HK-102X | C CAP.    | 1000pF 50V         | K     |
|                  | C1028      | QETN1HM-106Z | E CAP.    | 10μF 50V    | M     |                  | C1622      | NCF21CZ-105X | C CAP.    | 1μF 16V            | Z     |
|                  | C1030      | NCB31HK-103X | C CAP.    | 0.01μF 50V  | K     |                  | C1623      | NCB31HK-102X | C CAP.    | 1000pF 50V         | K     |
|                  | C1034      | NCB31HK-103X | C CAP.    | 0.01μF 50V  | K     |                  | C1624      | NCF21CZ-105X | C CAP.    | 1μF 16V            | Z     |
|                  | C1036      | QETN1AM-477Z | E CAP.    | 470μF 10V   | M     |                  | C1625      | QETN1CM-107Z | E CAP.    | 100μF 16V          | M     |
|                  | C1037      | NCB31HK-103X | C CAP.    | 0.01μF 50V  | K     |                  | C1626      | QETN1EM-108Z | E CAP.    | 1000μF 25V         | M     |
|                  | C1038      | QETN1CM-107Z | E CAP.    | 100μF 16V   | M     |                  | C1627      | QETN1HM-474Z | E CAP.    | 0.47μF 50V         | M     |
|                  | C1041-42   | QETN1HM-106Z | E CAP.    | 10μF 50V    | M     |                  | C1628-29   | QETN1EM-108Z | E CAP.    | 1000μF 25V         | M     |
|                  | C1043-44   | NDC31HJ-470X | C CAP.    | 47pF 50V    | J     |                  | C1634      | QETN1HM-106Z | E CAP.    | 10μF 50V           | M     |
|                  | C1045      | QETN1HM-106Z | E CAP.    | 10μF 50V    | M     |                  | C1700      | NCB31HK-102X | C CAP.    | 1000pF 50V         | K     |
|                  | C1046      | NCB31HK-103X | C CAP.    | 0.01μF 50V  | K     |                  | C1702      | NCB31EK-104X | C CAP.    | 0.1μF 25V          | K     |
|                  | C1047      | NDC21HJ-330X | C CAP.    | 33pF 50V    | J     |                  | C1703      | NDC31HJ-181X | C CAP.    | 180pF 50V          | J     |
|                  | C1048      | NCB31HK-103X | C CAP.    | 0.01μF 50V  | K     |                  | C1706      | QETN1HM-105Z | E CAP.    | 1μF 50V            | M     |
|                  | C1111      | QETN0JM-228Z | E CAP.    | 2200μF 6.3V | M     |                  | C1707      | QETN1CM-107Z | E CAP.    | 100μF 16V          | M     |
|                  | C1112      | NCB31HK-103X | C CAP.    | 0.01μF 50V  | K     |                  | C1710      | NCB21EK-683X | C CAP.    | 0.068μF 25V        | K     |
|                  | C1113      | QETN1HM-474Z | E CAP.    | 0.47μF 50V  | M     |                  | C1722-23   | NDC31HJ-390X | C CAP.    | 39pF 50V           | J     |
|                  | C1114      | QETN1HM-105Z | E CAP.    | 1μF 50V     | M     |                  | C1724      | NDC31HJ-471X | C CAP.    | 470pF 50V          | J     |
|                  | C1115      | QFV71HJ-104Z | MF CAP.   | 0.1μF 50V   | J     |                  | C1726      | NDC21HJ-561X | C CAP.    | 560pF 50V          | J     |
|                  | C1116      | NCB31EK-104X | C CAP.    | 0.1μF 25V   | K     |                  | C1728      | NCB31HK-103X | C CAP.    | 0.01μF 50V         | K     |
|                  | C1134      | NDC31HJ-470X | C CAP.    | 47pF 50V    | J     |                  | C1800      | QETN1EM-107Z | E CAP.    | 100μF 25V          | M     |
|                  | C1135      | NDC31HJ-330X | C CAP.    | 33pF 50V    | J     |                  | C1801      | NCB31EK-104X | C CAP.    | 0.1μF 25V          | K     |
|                  | C1136      | QENC1CM-106Z | E CAP.    | 10μF 16V    | M     |                  | C1802      | QETN1CM-107Z | E CAP.    | 100μF 16V          | M     |
|                  | C1151      | NCB31HK-103X | C CAP.    | 0.01μF 50V  | K     |                  | C1804      | NCB31HK-103X | C CAP.    | 0.01μF 50V         | K     |
|                  | C1201      | NDC31HJ-100X | C CAP.    | 10pF 50V    | J     |                  | C1807      | QETN1HM-106Z | E CAP.    | 10μF 50V           | M     |
|                  | C1202      | QETN1HM-224Z | E CAP.    | 0.22μF 50V  | M     |                  | C1810      | QENC1HM-474Z | BP E CAP. | 0.47μF 50V         | M     |
|                  | C1203      | NCB31HK-222X | C CAP.    | 2200pF 50V  | K     |                  | C1811      | QENC1HM-105Z | E CAP.    | 1μF 50V            | M     |
|                  | C1233      | NDC31HJ-560X | C CAP.    | 56pF 50V    | J     |                  | C1812-13   | NCB31HK-102X | C CAP.    | 1000pF 50V         | K     |
|                  |            |              |           |             |       |                  | C1816      | NCB31HK-153X | C CAP.    | 0.015μF 50V        | K     |
|                  |            |              |           |             |       |                  | C1853-54   | QETN1CM-107Z | E CAP.    | 100μF 16V          | M     |

| △ Symbol No.     | Part No.     | Part Name | Description     | Local |
|------------------|--------------|-----------|-----------------|-------|
| <b>CAPACITOR</b> |              |           |                 |       |
| C1856-57         | QETN1CM-107Z | E CAP.    | 100μF 16V M     |       |
| △ C1901          | QFZ9067-104  | MM CAP.   | 0.1μF           |       |
| △ C1902          | QFZ9067-473  | MM CAP.   | 0.047μF         |       |
| △ C1904-06       | QCZ9054-102  | C CAP.    | 1000pF AC250V Z |       |
| △ C1907          | QEZ0169-477  | E CAP.    | 470μF 200V M    |       |
| △ C1908          | QCZ9054-102  | C CAP.    | 1000pF AC250V Z |       |
| C1912            | QCZ0340-222  | C CAP.    | 2200pF          |       |
| C1913            | QFLC1HJ-471Z | M CAP.    | 470pF 50V J     |       |
| C1914            | QETN1HM-107Z | E CAP.    | 100μF 50V M     |       |
| C1916            | NDC31HJ-331X | C CAP.    | 330pF 50V J     |       |
| C1917            | NCB31HK-182X | C CAP.    | 1800pF 50V K    |       |
| C1918            | NCB21HK-104X | C CAP.    | 0.1μF 50V K     |       |
| C1919            | QFP32GJ-103  | PP CAP.   | 0.01μF 400V J   |       |
| C1931            | QEZ0203-107  | E CAP.    | 100μF 160V M    |       |
| C1933            | QETN1CM-108Z | E CAP.    | 1000μF 16V M    |       |
| C1934            | NDC31HJ-221X | C CAP.    | 220pF 50V J     |       |
| C1935            | QETN1EM-108Z | E CAP.    | 1000μF 25V M    |       |
| C1937            | QCZ0340-102  | C CAP.    | 1000pF          |       |
| C1938            | QETN1CM-477Z | E CAP.    | 470μF 16V M     |       |
| C1939            | QCB32HK-152Z | C CAP.    | 1500pF 500V K   |       |
| C1941            | QCB32HK-102Z | C CAP.    | 1000pF 500V K   |       |
| C1942            | QEHR1HM-105Z | E CAP.    | 1μF 50V M       |       |
| C1951            | QETN1EM-477Z | E CAP.    | 470μF 25V M     |       |
| C1952            | QETN1CM-227Z | E CAP.    | 220μF 16V M     |       |
| C1971            | QETN1CM-107Z | E CAP.    | 100μF 16V M     |       |
| C1972            | QETN1EM-476Z | E CAP.    | 47μF 25V M      |       |
| C1973            | QETN1HM-106Z | E CAP.    | 10μF 50V M      |       |
| △ C1997          | QCZ9052-102  | C CAP.    | 1000pF AC125V M |       |
| △ C1998-99       | QCZ9074-103  | C CAP.    | 0.01μF AC125V M |       |

**TRANSFORMER**

|         |             |                 |
|---------|-------------|-----------------|
| T1501   | CE42034-002 | H.DRIVE TRANSF. |
| △ T1502 | QQH0100-001 | FBT             |
| △ T1921 | QQS0118-001 | SW TRANSF       |
| △ T1951 | QQT0355-001 | POWER TRANSF    |

**COIL**

|         |              |              |        |        |
|---------|--------------|--------------|--------|--------|
| △ L1001 | QQL244K-560Z | COIL         | 56μH   | K      |
| L1012   | QQLZ014-R39  | PEAKING COIL | 0.39μH |        |
| L1021   | QRN143J-0R0X | C R          | 0.0Ω   | 1/4W J |
| L1022   | QQL244K-220Z | PEAKING COIL | 22μH   | K      |
| L1027   | QRN143J-0R0X | C R          | 0.0Ω   | 1/4W J |
| L1041   | QRN143J-0R0X | C R          | 0.0Ω   | 1/4W J |
| L1042   | QQL244K-220Z | PEAKING COIL | 22μH   | K      |
| L1101   | QQL244K-470Z | COIL         | 47μH   | K      |
| L1232   | QQL244K-560Z | COIL         | 56μH   | K      |
| △ L1511 | QQR1027-003  | LINE FILTER  |        |        |
| L1512   | QQLZ027-821  | CHOKE COIL   | 820μH  |        |
| △ L1521 | QQLZ018-560  | HEATER CHOKE | 56μH   |        |
| L1700   | QQL244K-4R7Z | COIL         | 4.7μH  | K      |
| L1810   | QQL244J-100Z | COIL         | 10μH   | J      |
| L1931   | QQL26AK-470Z | COIL         | 47μH   | K      |
| L1933   | QQL26AK-470Z | COIL         | 47μH   | K      |
| L1940   | QQR0582-001Z | BEADS CORE   |        |        |

**DIODE**

|          |             |             |
|----------|-------------|-------------|
| D1010    | MTZJ9.1C-T2 | ZENER DIODE |
| D1101-02 | MTZJ5.6B-T2 | ZENER DIODE |
| D1305-10 | 1SS133-T2   | SI.DIODE    |
| D1352    | MTZJ9.1C-T2 | ZENER DIODE |
| D1353    | 1SS133-T2   | SI.DIODE    |
| D1421    | 1N4003-T2   | SI.DIODE    |
| D1422    | MTZJ75-T2   | ZENER DIODE |
| D1424    | 1SS133-T2   | SI.DIODE    |
| D1501    | RH3G-F1     | SI.DIODE    |
| △ D1502  | RU3AM-LFC4  | SI.DIODE    |
| D1521    | RH1S-T3     | SI.DIODE    |

| △ Symbol No. | Part No.       | Part Name    | Description | Local |
|--------------|----------------|--------------|-------------|-------|
| <b>DIODE</b> |                |              |             |       |
| D1523        | RGP10J-5025-T3 | SI.DIODE     |             |       |
| D1525-26     | 1SS81-T5       | SI.DIODE     |             |       |
| D1527        | 1SR124-400A-T2 | SI.DIODE     |             |       |
| D1529        | MTZJ5.1C-T2    | ZENER DIODE  |             |       |
| △ D1531      | MA4068N/Z1/-T2 | ZENER DIODE  |             |       |
| D1535        | 1SS133-T2      | SI.DIODE     |             |       |
| D1537        | 1SR35-400A-T2  | SI.DIODE     |             |       |
| D1601        | MTZJ9.1C-T2    | ZENER DIODE  |             |       |
| D1603        | MTZJ9.1C-T2    | ZENER DIODE  |             |       |
| D1606        | MTZJ9.1C-T2    | ZENER DIODE  |             |       |
| D1700        | MTZJ5.6B-T2    | ZENER DIODE  |             |       |
| D1701        | 1SS133-T2      | SI.DIODE     |             |       |
| D1703-04     | MTZJ5.6B-T2    | ZENER DIODE  |             |       |
| D1716        | 1SS133-T2      | SI.DIODE     |             |       |
| D1721-22     | 1SS133-T2      | SI.DIODE     |             |       |
| D1723-24     | MTZJ5.6B-T2    | ZENER DIODE  |             |       |
| D1801        | 1SS133-T2      | SI.DIODE     |             |       |
| D1810        | MTZJ5.6B-T2    | ZENER DIODE  |             |       |
| D1811        | 1SS133-T2      | SI.DIODE     |             |       |
| △ D1901      | GSIB460-S1     | BRIDGE DIODE |             |       |
| D1910        | MA700A-T2      | SI.DIODE     |             |       |
| △ D1911-13   | RGP10J-5025-T3 | SI.DIODE     |             |       |
| D1914        | 1SS133-T2      | SI.DIODE     |             |       |
| D1915        | SARS01-T2      | SI.DIODE     |             |       |
| D1917        | MTZJ30A-T2     | ZENER DIODE  |             |       |
| D1918        | MTZJ5.1C-T2    | ZENER DIODE  |             |       |
| D1920        | 1SS133-T2      | SI.DIODE     |             |       |
| D1931        | RU30A-F1       | SI.DIODE     |             |       |
| D1933        | RU3YX-LFC4     | SI.DIODE     |             |       |
| D1935        | RU3YX-LFC4     | SI.DIODE     |             |       |
| D1941        | MTZJ33A-T2     | ZENER DIODE  |             |       |
| D1945        | MTZJ9.1B-T2    | ZENER DIODE  |             |       |
| D1952        | 1SS133-T2      | SI.DIODE     |             |       |
| D1953        | 1SS133-T2      | SI.DIODE     |             |       |
| D1954-57     | 1SR35-400A-T2  | SI.DIODE     |             |       |
| D1972        | MTZJ15C-T2     | ZENER DIODE  |             |       |
| D1973        | 1SS133-T2      | SI.DIODE     |             |       |

**TRANSISTOR**

|          |                 |                 |
|----------|-----------------|-----------------|
| Q1011    | 2SC5083/L-P/-T  | SI.TRANSISTOR   |
| Q1021    | 2SC2412K/QR/-X  | SI.TRANSISTOR   |
| Q1024    | 2SC2412K/QR/-X  | SI.TRANSISTOR   |
| Q1025    | 2SA1037AK/QR/-X | SI.TRANSISTOR   |
| Q1041    | 2SA1037AK/QR/-X | SI.TRANSISTOR   |
| Q1131-33 | 2SC2412K/QR/-X  | SI.TRANSISTOR   |
| Q1150    | 2SA1037AK/QR/-X | SI.TRANSISTOR   |
| Q1232-33 | 2SC2412K/QR/-X  | SI.TRANSISTOR   |
| Q1352    | 2SC2412K/QR/-X  | SI.TRANSISTOR   |
| Q1431    | UN2212-X        | DEGI.TRANSISTOR |
| Q1501    | 2SC4212/Z1/     | SI.TRANSISTOR   |
| △ Q1511  | 2SD2645-YD      | TRANSISTOR      |
| Q1531    | 2SC2785/JH/-T   | SI.TRANSISTOR   |
| Q1532    | 2SA1037AK/QR/-X | SI.TRANSISTOR   |
| Q1541-42 | 2SA1037AK/QR/-X | SI.TRANSISTOR   |
| △ Q1543  | 2SD1408/OY/-LB  | SI.TRANSISTOR   |
| Q1621    | UN2212-X        | DEGI.TRANSISTOR |
| Q1622    | 2SC2412K/QR/-X  | SI.TRANSISTOR   |
| Q1623    | UN2212-X        | DEGI.TRANSISTOR |
| Q1700    | 2SC2412K/QR/-X  | SI.TRANSISTOR   |
| Q1701    | 2SA1037AK/QR/-X | SI.TRANSISTOR   |
| Q1706    | 2SC2412K/QR/-X  | SI.TRANSISTOR   |
| Q1711    | UN2212-X        | DEGI.TRANSISTOR |
| Q1810    | UN2213-X        | DIGI TRANSISTOR |
| Q1951    | 2SD1383K/AB/-X  | SI.TRANSISTOR   |
| Q1971    | 2SA1208/ST/Z1-T | SI.TRANSISTOR   |

**IC**

|          |          |               |
|----------|----------|---------------|
| IC1101   | TB1253AN | I.C(M)        |
| △ IC1421 | LA7841   | I.C(MONO-ANA) |
| △ IC1621 | LA4485   | I.C(MONO-ANA) |



## CRT SOCKET PW BOARD ASS'Y (SGC-3003A-M2)

| △ Symbol No.  | Part No.        | Part Name       | Description | Local   |
|---------------|-----------------|-----------------|-------------|---------|
| <b>IC</b>     |                 |                 |             |         |
| IC1701        | MN1876478JW     | I.C(MICRO-COMP) |             |         |
| IC1702        | AT24C04-GC1     | I.C(MEMORY-OTH) | (SERVICE)   |         |
| IC1703        | L78LR05E-MA     | I.C(MONO-ANA)   |             |         |
| IC1852        | AN7809F         | I.C(MONO-ANA)   |             |         |
| IC1853        | AN7805F         | I.C(MONO-ANA)   |             |         |
| △ IC1911      | STR-G6624/F8    | I.C(HYBRID)     |             |         |
| △ IC1921      | SE135N          | I.C(HYBRID)     |             |         |
| <b>OTHERS</b> |                 |                 |             |         |
| CF1001        | QAX0349-001     | CERAMIC FILTER  |             |         |
| CF1021        | QAX0639-001Z    | CERAMIC FILTER  |             |         |
| CF1041        | QAX0642-001Z    | CERAMIC FILTER  |             |         |
| △ CN10PW      | QMPD390-200-JS  | POWER CORD      |             |         |
| △ CP1932      | ICP-N70-T       | I.C.PROTECT     |             |         |
| △ CP1936      | ICP-N70-T       | I.C.PROTECT     |             |         |
| △ F1901       | QMF51U1-5R0-J8  | FUSE            |             |         |
| △ F1905       | QMFZ034-5R0Z-J1 | FUSE            |             |         |
| △ FC1901      | CEMG002-001Z    | FUSE CLIP       |             |         |
| △ FR1521      | QRK129J-150     | C R             | 15Ω         | 1/2W J  |
| △ FR1523      | QRX029J-3R3     | MF R            |             |         |
| △ FR1525      | QRZ9017-4R7     | F R             | 4.7Ω        | 1/4W J  |
| J1601         | QNN0349-002     | PIN JACK        |             |         |
| J1810         | QNS0001-001     | JACK            |             |         |
| K1401         | QQR0621-002Z    | BEADS CORE      |             |         |
| K1912         | QQR0582-001Z    | BEADS CORE      |             |         |
| K1916-18      | QQR0582-001Z    | BEADS CORE      |             |         |
| K1931-33      | QQR0582-001Z    | BEADS CORE      |             |         |
| K1935         | QQR0582-001Z    | BEADS CORE      |             |         |
| K1941         | QQR0621-002Z    | BEADS CORE      |             |         |
| LC1601-03     | QQR1199-001     | FILTER          |             |         |
| △ LF1901      | QQR0527-003     | LINE FILTER     |             |         |
| △ PC1921      | TLF421F/D4-G/R  | I.C(PH.COUPLER) |             |         |
| △ RY1951      | QSK0085-001     | RELAY           |             |         |
| S1421         | QSL4A13-C02     | LEVER SWITCH    |             |         |
| SF1011        | QAX0324-002     | SAW FILTER      |             |         |
| △ TH1901      | QAD0132-3R0     | W-PTC           |             |         |
| △ TU1001      | QAU0176-001     | TUNER           |             |         |
| △ VA1901      | ERZV10V621CS    | VARISTOR        |             |         |
| W1106         | NRSA63J-0R0X    | MG R            | 0.0Ω        | 1/16W J |
| W1213         | NRSA63J-0R0X    | MG R            | 0.0Ω        | 1/16W J |
| W1265         | NRSA63J-0R0X    | MG R            | 0.0Ω        | 1/16W J |
| W1311         | NRSA63J-0R0X    | MG R            | 0.0Ω        | 1/16W J |
| W1331         | NRSA63J-0R0X    | MG R            | 0.0Ω        | 1/16W J |
| W1442-43      | NRSA63J-0R0X    | MG R            | 0.0Ω        | 1/16W J |
| W1478         | NRSA63J-0R0X    | MG R            | 0.0Ω        | 1/16W J |
| W1548-49      | NRSA63J-0R0X    | MG R            | 0.0Ω        | 1/16W J |
| W1567         | NRSA63J-0R0X    | MG R            | 0.0Ω        | 1/16W J |
| W1572         | NRSA63J-0R0X    | MG R            | 0.0Ω        | 1/16W J |
| W1579         | NRSA63J-0R0X    | MG R            | 0.0Ω        | 1/16W J |
| W1581         | NRSA63J-0R0X    | MG R            | 0.0Ω        | 1/16W J |
| W1609         | NRSA63J-0R0X    | MG R            | 0.0Ω        | 1/16W J |
| W1628         | NRSA63J-0R0X    | MG R            | 0.0Ω        | 1/16W J |
| W1636         | NRSA63J-0R0X    | MG R            | 0.0Ω        | 1/16W J |
| W1653         | NRSA63J-0R0X    | MG R            | 0.0Ω        | 1/16W J |
| W1666         | NRSA63J-0R0X    | MG R            | 0.0Ω        | 1/16W J |
| W1710         | NRSA63J-0R0X    | MG R            | 0.0Ω        | 1/16W J |
| W1716         | NRSA63J-0R0X    | MG R            | 0.0Ω        | 1/16W J |
| W1729         | NRSA63J-0R0X    | MG R            | 0.0Ω        | 1/16W J |
| W1746         | NRSA63J-0R0X    | MG R            | 0.0Ω        | 1/16W J |
| W1762         | NRSA63J-0R0X    | MG R            | 0.0Ω        | 1/16W J |
| W1764         | NRSA63J-0R0X    | MG R            | 0.0Ω        | 1/16W J |
| W1766         | NRSA63J-0R0X    | MG R            | 0.0Ω        | 1/16W J |
| W1773         | NRSA63J-0R0X    | MG R            | 0.0Ω        | 1/16W J |
| W1797-98      | NRSA63J-0R0X    | MG R            | 0.0Ω        | 1/16W J |
| W1804         | NRSA63J-0R0X    | MG R            | 0.0Ω        | 1/16W J |
| W1821         | NRSA63J-0R0X    | MG R            | 0.0Ω        | 1/16W J |
| X1201         | CE40668-001Z    | CRYSTAL         |             |         |
| Y1700         | QAX0307-001     | CER.RESONATOR   |             |         |
| Y1002-03      | NRSA63J-0R0X    | MG R            | 0.0Ω        | 1/16W J |
| Y1800         | NRSA63J-0R0X    | MG R            | 0.0Ω        | 1/16W J |
| Y1903         | NRSA63J-0R0X    | MG R            | 0.0Ω        | 1/16W J |

| △ Symbol No.    | Part No.     | Part Name | Description | Local   |
|-----------------|--------------|-----------|-------------|---------|
| <b>RESISTOR</b> |              |           |             |         |
| R3354-56        | NRSA63J-221X | MG R      | 220Ω        | 1/16W J |
| R3357-59        | NRSA63J-101X | MG R      | 100Ω        | 1/16W J |
| R3360-62        | QRZ0111-152  | C R       | 1.5kΩ       | 1/2W K  |
| R3363-65        | QRG029J-103  | OM R      | 10kΩ        | 2W J    |
| R3366-68        | NRSA63J-182X | MG R      | 1.8kΩ       | 1/16W J |
| R3372-74        | NRSA63J-221X | MG R      | 220Ω        | 1/16W J |
| R3375-77        | NRSA63J-0R0X | MG R      | 0.0Ω        | 1/16W J |
| R3381           | QRE121J-394Y | C R       | 390kΩ       | 1/2W J  |
| R3391           | NRSA63J-152X | MG R      | 1.5kΩ       | 1/16W J |
| R3392           | NRSA63J-392X | MG R      | 3.9kΩ       | 1/16W J |
| R3393-95        | NRSA63J-102X | MG R      | 1kΩ         | 1/16W J |

| △ Symbol No.     | Part No.     | Part Name | Description | Local |
|------------------|--------------|-----------|-------------|-------|
| <b>CAPACITOR</b> |              |           |             |       |
| C3354-55         | NDC31HJ-391X | C CAP.    | 390pF       | 50V J |
| C3356            | NDC31HJ-471X | C CAP.    | 470pF       | 50V J |
| C3357            | QETN1CM-107Z | E CAP.    | 100μF       | 16V M |
| △ C3382          | QCZ0121-102  | C CAP.    | 1000pF      | 3kV Z |
| C3391            | QETN1AM-227Z | E CAP.    | 220μF       | 10V M |
| C3392            | NDC31HJ-101X | C CAP.    | 100pF       | 50V J |

| △ Symbol No. | Part No.     | Part Name    | Description | Local |
|--------------|--------------|--------------|-------------|-------|
| <b>COIL</b>  |              |              |             |       |
| L3381        | QQL244K-101Z | PEAKING COIL | 100μH       | K     |

| △ Symbol No. | Part No.  | Part Name | Description | Local |
|--------------|-----------|-----------|-------------|-------|
| <b>DIODE</b> |           |           |             |       |
| D3391        | 1SS133-T2 | SI.DIODE  |             |       |

| △ Symbol No.      | Part No.      | Part Name     | Description | Local |
|-------------------|---------------|---------------|-------------|-------|
| <b>TRANSISTOR</b> |               |               |             |       |
| Q3351-53          | 2SC4544-LB    | SI.TRANSISTOR |             |       |
| Q3391             | 2SA933AS/QR-T | SI.TRANSISTOR |             |       |

| △ Symbol No.  | Part No.     | Part Name  | Description | Local   |
|---------------|--------------|------------|-------------|---------|
| <b>OTHERS</b> |              |            |             |         |
| △ SK3351      | QNZ0537-001  | CRT SOCKET |             |         |
| W3002         | NRSA02J-0R0X | MG R       | 0.0Ω        | 1/10W J |

## FRONT CONTROL PW BOARD ASS'Y (SGC-8502A-M2)

| △ Symbol No.      | Part No.     | Part Name       | Description | Local   |
|-------------------|--------------|-----------------|-------------|---------|
| <b>RESISTOR</b>   |              |                 |             |         |
| R8702             | NRSA63J-472X | MG R            | 4.7kΩ       | 1/16W J |
| R8703             | NRSA63J-153X | MG R            | 15kΩ        | 1/16W J |
| R8705             | NRSA63J-472X | MG R            | 4.7kΩ       | 1/16W J |
| R8706             | NRSA63J-153X | MG R            | 15kΩ        | 1/16W J |
| R8707             | NRSA63J-222X | MG R            | 2.2kΩ       | 1/16W J |
| R8708             | NRSA63J-681X | MG R            | 680Ω        | 1/16W J |
| R8709             | NRSA63J-561X | MG R            | 560Ω        | 1/16W J |
| <b>CAPACITOR</b>  |              |                 |             |         |
| C8701             | QETN1EM-476Z | E CAP.          | 47μF        | 25V M   |
| <b>DIODE</b>      |              |                 |             |         |
| D8701             | GL2PR6       | L.E.D.(RED)     |             |         |
| <b>TRANSISTOR</b> |              |                 |             |         |
| Q8701-02          | UN2112-X     | DIGI TRANSISTOR |             |         |
| <b>IC</b>         |              |                 |             |         |
| IC8701            | GP1U281Q     | IFR DETECT UNIT |             |         |

| △ Symbol No.  | Part No.      | Part Name    | Description | Local |
|---------------|---------------|--------------|-------------|-------|
| <b>OTHERS</b> |               |              |             |       |
|               | CM46978-A01-H | L.E.D.HOLDER |             |       |
| S8701         | QSW0707-001Z  | TACT SWITCH  | POWER       |       |
| S8702         | QSW0707-001Z  | TACT SWITCH  | MENU        |       |
| S8703         | QSW0707-001Z  | TACT SWITCH  | CH-         |       |
| S8704         | QSW0707-001Z  | TACT SWITCH  | CH+         |       |
| S8705         | QSW0707-001Z  | TACT SWITCH  | VOL-        |       |
| S8706         | QSW0707-001Z  | TACT SWITCH  | VOL+        |       |
| W8008-13      | NRSA63J-0R0X  | MG R         | 0.0Ω 1/16W  | J     |

**FRONT AV INPUT PW BOARD ASS'Y (SGC-8602A-M2)**

| △ Symbol No.    | Part No.     | Part Name | Description | Local |
|-----------------|--------------|-----------|-------------|-------|
| <b>RESISTOR</b> |              |           |             |       |
| R8401           | NRSA63J-750X | MG R      | 75Ω 1/16W   | J     |
| R8402-03        | NRSA63J-224X | MG R      | 220kΩ 1/16W | J     |

**CAPACITOR**

|          |              |        |         |   |
|----------|--------------|--------|---------|---|
| C8402-03 | QETN1HM-105Z | E CAP. | 1μF 50V | M |
|----------|--------------|--------|---------|---|

**OTHERS**

|          |              |          |            |   |
|----------|--------------|----------|------------|---|
| J8401    | QNN0417-001  | PIN JACK |            |   |
| LC8401   | QQR1199-001  | FILTER   |            |   |
| W8001-03 | NRSA63J-0R0X | MG R     | 0.0Ω 1/16W | J |

**AV SELECTOR PW BOARD ASS'Y (SGC0S004A-M2)**

| △ Symbol No.    | Part No.     | Part Name | Description | Local |
|-----------------|--------------|-----------|-------------|-------|
| <b>RESISTOR</b> |              |           |             |       |
| R0081           | NRSA63J-102X | MG R      | 1kΩ 1/16W   | J     |
| R0082           | NRSA63J-682X | MG R      | 6.8kΩ 1/16W | J     |
| R0083           | NRSA63J-153X | MG R      | 15kΩ 1/16W  | J     |
| R0084           | NRSA63J-683X | MG R      | 68kΩ 1/16W  | J     |
| R0085           | NRSA63J-332X | MG R      | 3.3kΩ 1/16W | J     |
| R0086           | NRSA63J-333X | MG R      | 33kΩ 1/16W  | J     |
| R0087           | NRSA63J-153X | MG R      | 15kΩ 1/16W  | J     |
| R0088           | NRSA63J-152X | MG R      | 1.5kΩ 1/16W | J     |
| R0089           | NRSA63J-562X | MG R      | 5.6kΩ 1/16W | J     |
| R0090           | NRSA63J-563X | MG R      | 56kΩ 1/16W  | J     |
| R0210           | NRSA63J-0R0X | MG R      | 0.0Ω 1/16W  | J     |
| R0211           | NRSA63J-153X | MG R      | 15kΩ 1/16W  | J     |
| R0212           | NRSA63J-333X | MG R      | 33kΩ 1/16W  | J     |
| R0213           | NRSA63J-102X | MG R      | 1kΩ 1/16W   | J     |
| R0214           | NRSA63J-181X | MG R      | 180Ω 1/16W  | J     |
| R0215           | NRSA63J-152X | MG R      | 1.5kΩ 1/16W | J     |
| R0216           | NRSA63J-182X | MG R      | 1.8kΩ 1/16W | J     |
| R0217           | NRSA63J-102X | MG R      | 1kΩ 1/16W   | J     |
| R0218           | NRSA63J-222X | MG R      | 2.2kΩ 1/16W | J     |
| R0223           | NRSA63J-0R0X | MG R      | 0.0Ω 1/16W  | J     |
| R0229           | NRSA63J-473X | MG R      | 47kΩ 1/16W  | J     |
| R0230           | NRSA63J-223X | MG R      | 22kΩ 1/16W  | J     |
| R0231           | NRSA63J-101X | MG R      | 100Ω 1/16W  | J     |
| R0232           | NRSA63J-102X | MG R      | 1kΩ 1/16W   | J     |

| △ Symbol No.    | Part No.     | Part Name | Description | Local |
|-----------------|--------------|-----------|-------------|-------|
| <b>RESISTOR</b> |              |           |             |       |
| R0233           | NRSA63J-272X | MG R      | 2.7kΩ 1/16W | J     |
| R0234           | NRSA63J-102X | MG R      | 1kΩ 1/16W   | J     |
| R0235-36        | NRSA63J-101X | MG R      | 100Ω 1/16W  | J     |
| R0238           | NRSA63J-822X | MG R      | 8.2kΩ 1/16W | J     |
| R0239           | NRSA63J-123X | MG R      | 12kΩ 1/16W  | J     |
| R0241           | NRSA63J-821X | MG R      | 820Ω 1/16W  | J     |
| R0242           | NRSA63J-474X | MG R      | 470kΩ 1/16W | J     |
| R0243-44        | NRSA63J-103X | MG R      | 10kΩ 1/16W  | J     |

|          |              |      |             |   |
|----------|--------------|------|-------------|---|
| R0251    | NRSA63J-471X | MG R | 470Ω 1/16W  | J |
| R0253    | NRSA63J-681X | MG R | 680Ω 1/16W  | J |
| R0254-55 | NRSA63J-0R0X | MG R | 0.0Ω 1/16W  | J |
| R0258    | NRSA63J-101X | MG R | 100Ω 1/16W  | J |
| R0259    | NRSA63J-222X | MG R | 2.2kΩ 1/16W | J |
| R0261    | NRSA63J-101X | MG R | 100Ω 1/16W  | J |
| R0262    | NRSA63J-222X | MG R | 2.2kΩ 1/16W | J |
| R0263    | NRSA63J-471X | MG R | 470Ω 1/16W  | J |

|          |              |      |             |   |
|----------|--------------|------|-------------|---|
| R0265    | NRSA63J-102X | MG R | 1kΩ 1/16W   | J |
| R0269-70 | NRSA63J-0R0X | MG R | 0.0Ω 1/16W  | J |
| R0331-34 | NRSA63J-101X | MG R | 100Ω 1/16W  | J |
| R0371-74 | NRSA63J-103X | MG R | 10kΩ 1/16W  | J |
| R0375-76 | NRSA63J-333X | MG R | 33kΩ 1/16W  | J |
| R0377-78 | NRSA63J-472X | MG R | 4.7kΩ 1/16W | J |
| R0381    | NRSA63J-562X | MG R | 5.6kΩ 1/16W | J |
| R0382    | NRSA63J-223X | MG R | 22kΩ 1/16W  | J |

|          |              |      |            |   |
|----------|--------------|------|------------|---|
| R0385    | NRSA63J-223X | MG R | 22kΩ 1/16W | J |
| R0387    | NRSA63J-223X | MG R | 22kΩ 1/16W | J |
| R0391-92 | NRSA63J-221X | MG R | 220Ω 1/16W | J |
| R0393-94 | NRSA63J-823X | MG R | 82kΩ 1/16W | J |
| R0395-96 | NRSA63J-221X | MG R | 220Ω 1/16W | J |
| R0501    | NRSA63J-102X | MG R | 1kΩ 1/16W  | J |
| R0502-03 | NRSA63J-820X | MG R | 82Ω 1/16W  | J |
| R0504    | NRSA63J-750X | MG R | 75Ω 1/16W  | J |

|       |              |      |            |   |
|-------|--------------|------|------------|---|
| R0505 | NRSA63J-823X | MG R | 82kΩ 1/16W | J |
| R0506 | NRSA63J-102X | MG R | 1kΩ 1/16W  | J |
| R0507 | NRSA63J-823X | MG R | 82kΩ 1/16W | J |
| R0508 | NRSA63J-102X | MG R | 1kΩ 1/16W  | J |
| R0512 | NRSA63J-823X | MG R | 82kΩ 1/16W | J |
| R0513 | NRSA63J-102X | MG R | 1kΩ 1/16W  | J |
| R0514 | NRSA63J-823X | MG R | 82kΩ 1/16W | J |
| R0515 | NRSA63J-102X | MG R | 1kΩ 1/16W  | J |

|          |              |      |             |   |
|----------|--------------|------|-------------|---|
| R0518    | NRSA63J-153X | MG R | 15kΩ 1/16W  | J |
| R0519    | NRSA63J-103X | MG R | 10kΩ 1/16W  | J |
| R0520    | NRSA63J-153X | MG R | 15kΩ 1/16W  | J |
| R0523    | NRSA63J-103X | MG R | 10kΩ 1/16W  | J |
| R0542    | NRSA63J-821X | MG R | 820Ω 1/16W  | J |
| R0543-44 | NRSA63J-182X | MG R | 1.8kΩ 1/16W | J |
| R0546    | NRSA63J-273X | MG R | 27kΩ 1/16W  | J |
| R0547    | NRSA63J-223X | MG R | 22kΩ 1/16W  | J |

|       |              |      |             |   |
|-------|--------------|------|-------------|---|
| R0548 | NRSA63J-222X | MG R | 2.2kΩ 1/16W | J |
| R0552 | NRSA63J-183X | MG R | 18kΩ 1/16W  | J |
| R0553 | NRSA63J-223X | MG R | 22kΩ 1/16W  | J |
| R0560 | NRSA63J-221X | MG R | 220Ω 1/16W  | J |
| R0561 | NRSA63J-222X | MG R | 2.2kΩ 1/16W | J |
| R0562 | NRSA63J-471X | MG R | 470Ω 1/16W  | J |
| R0565 | NRSA63J-223X | MG R | 22kΩ 1/16W  | J |
| R0566 | NRSA63J-0R0X | MG R | 0.0Ω 1/16W  | J |

|       |              |      |             |   |
|-------|--------------|------|-------------|---|
| R0567 | NRSA63J-152X | MG R | 1.5kΩ 1/16W | J |
| R0568 | NRSA63J-183X | MG R | 18kΩ 1/16W  | J |
| R0569 | NRSA63J-103X | MG R | 10kΩ 1/16W  | J |
| R0570 | NRSA63J-152X | MG R | 1.5kΩ 1/16W | J |
| R0571 | NRSA63J-0R0X | MG R | 0.0Ω 1/16W  | J |
| R0572 | NRSA63J-562X | MG R | 5.6kΩ 1/16W | J |
| R0574 | NRSA63J-471X | MG R | 470Ω 1/16W  | J |

**CAPACITOR**

|          |              |           |             |   |
|----------|--------------|-----------|-------------|---|
| C0081    | NCB21HK-104X | C CAP.    | 0.1μF 50V   | K |
| C0082    | QENC1HM-475Z | BP E CAP. | 4.7μF 50V   | M |
| C0083    | QENC1HM-105Z | E CAP.    | 1μF 50V     | M |
| C0084    | QETN1HM-225Z | E CAP.    | 2.2μF 50V   | M |
| C0085    | NCB21HK-473X | C CAP.    | 0.047μF 50V | K |
| C0086    | QETN1HM-474Z | E CAP.    | 0.47μF 50V  | M |
| C0087-88 | NCB21HK-104X | C CAP.    | 0.1μF 50V   | K |
| C0089    | QETN1HM-335Z | E CAP.    | 3.3μF 50V   | M |

| △ Symbol No.     | Part No.     | Part Name | Description   | Local | △ Symbol No.      | Part No.        | Part Name       | Description  | Local |
|------------------|--------------|-----------|---------------|-------|-------------------|-----------------|-----------------|--------------|-------|
| <b>CAPACITOR</b> |              |           |               |       | <b>DIODE</b>      |                 |                 |              |       |
| C0090            | QETN1HM-105Z | E CAP.    | 1μF 50V M     |       | D0391-92          | MTZJ9.1C-T2     | ZENER DIODE     |              |       |
| C0091            | QETN1HM-106Z | E CAP.    | 10μF 50V M    |       | D0501-07          | MTZJ9.1C-T2     | ZENER DIODE     |              |       |
| C0092-93         | QETN1HM-105Z | E CAP.    | 1μF 50V M     |       | D0511-16          | MTZJ9.1C-T2     | ZENER DIODE     |              |       |
| C0094            | QETN1HM-475Z | E CAP.    | 4.7μF 50V M   |       | <b>TRANSISTOR</b> |                 |                 |              |       |
| C0095            | QETN1HM-105Z | E CAP.    | 1μF 50V M     |       | Q0211-12          | 2SC2412K/QR/-X  | SI.TRANSISTOR   |              |       |
| C0205            | QETN1HM-476Z | E CAP.    | 47μF 50V M    |       | Q0218             | 2SC2412K/QR/-X  | SI.TRANSISTOR   |              |       |
| C0206            | NCB31HK-103X | C CAP.    | 0.01μF 50V K  |       | Q0219             | 2SA1037AK/QR/-X | SI.TRANSISTOR   |              |       |
| C0211            | QETN1HM-106Z | E CAP.    | 10μF 50V M    |       | Q0251             | 2SC2412K/QR/-X  | SI.TRANSISTOR   |              |       |
| C0212            | NDC31HJ-101X | C CAP.    | 100pF 50V J   |       | Q0253             | 2SC2412K/QR/-X  | SI.TRANSISTOR   |              |       |
| C0213            | NDC31HJ-470X | C CAP.    | 47pF 50V J    |       | Q0261-62          | 2SC2412K/QR/-X  | SI.TRANSISTOR   |              |       |
| C0214            | NDC31HJ-181X | C CAP.    | 180pF 50V J   |       | Q0381-82          | UN2212-X        | DEGI.TRANSISTOR |              |       |
| C0215            | QETN1HM-474Z | E CAP.    | 0.47μF 50V M  |       | Q0385             | DTC323TK-X      | DIGI.TRANSISTOR |              |       |
| C0223            | NCB31HK-103X | C CAP.    | 0.01μF 50V K  |       | Q0387             | DTC323TK-X      | DIGI.TRANSISTOR |              |       |
| C0226            | NCB31HK-103X | C CAP.    | 0.01μF 50V K  |       | Q0505-06          | 2SC2412K/QR/-X  | SI.TRANSISTOR   |              |       |
| C0231-33         | QETN1HM-106Z | E CAP.    | 10μF 50V M    |       | Q0508-09          | 2SC2412K/QR/-X  | SI.TRANSISTOR   |              |       |
| C0234            | NCB31HK-103X | C CAP.    | 0.01μF 50V K  |       | Q0510-11          | UN2212-X        | DEGI.TRANSISTOR |              |       |
| C0235            | QETN1HM-106Z | E CAP.    | 10μF 50V M    |       | <b>IC</b>         |                 |                 |              |       |
| C0236            | NCB31HK-103X | C CAP.    | 0.01μF 50V K  |       | IC0001            | UPC1851BCU      | I.C(MONO-ANA)   |              |       |
| C0237            | NCB31HK-472X | C CAP.    | 4700pF 50V K  |       | IC0201            | TC90A53N        | I.C(DIGI-MOS)   |              |       |
| C0238-39         | NCB31HK-103X | C CAP.    | 0.01μF 50V K  |       | IC0371            | BA15218N        | I.C(MONO-ANA)   |              |       |
| C0241-45         | NCB31HK-103X | C CAP.    | 0.01μF 50V K  |       | IC0381            | TC4066BP/N/     | I.C(DIGI-MOS)   |              |       |
| C0246            | NDC31HJ-181X | C CAP.    | 180pF 50V J   |       | IC0501            | BA7644AN        | I.C(MONO-ANA)   |              |       |
| C0247-49         | NCB31HK-103X | C CAP.    | 0.01μF 50V K  |       | IC0504            | TC4066BP/N/     | I.C(DIGI-MOS)   |              |       |
| C0251            | QETN1HM-476Z | E CAP.    | 47μF 50V M    |       | <b>OTHERS</b>     |                 |                 |              |       |
| C0252            | NCB31HK-103X | C CAP.    | 0.01μF 50V K  |       | J0501             | QNZ0454-001     | PIN JACK        |              |       |
| C0253            | NRSA63J-222X | MG R      | 2.2kΩ 1/16W J |       | J0502-03          | QNN0348-001     | PIN JACK        |              |       |
| C0255            | NDC31HJ-390X | C CAP.    | 39pF 50V J    |       | W0060             | NRSA63J-0R0X    | MG R            | 0.0Ω 1/16W J |       |
| C0261            | NRSA63J-222X | MG R      | 2.2kΩ 1/16W J |       | W0105             | NRSA63J-0R0X    | MG R            | 0.0Ω 1/16W J |       |
| C0263            | NDC31HJ-150X | C CAP.    | 15pF 50V J    |       | W0116             | NRSA63J-0R0X    | MG R            | 0.0Ω 1/16W J |       |
| C0331            | QETN1CM-107Z | E CAP.    | 100μF 16V M   |       | W0165             | NRSA63J-0R0X    | MG R            | 0.0Ω 1/16W J |       |
| C0332            | NCB31HK-103X | C CAP.    | 0.01μF 50V K  |       | W0200-01          | NRSA63J-0R0X    | MG R            | 0.0Ω 1/16W J |       |
| C0333            | QETN1EM-476Z | E CAP.    | 47μF 25V M    |       | W0254             | NRSA63J-0R0X    | MG R            | 0.0Ω 1/16W J |       |
| C0334            | NCB21HK-273X | C CAP.    | 0.027μF 50V K |       | W0273             | NRSA63J-0R0X    | MG R            | 0.0Ω 1/16W J |       |
| C0335            | QETN1HM-225Z | E CAP.    | 2.2μF 50V M   |       | W0275             | NRSA63J-0R0X    | MG R            | 0.0Ω 1/16W J |       |
| C0336            | NCB31HK-222X | C CAP.    | 2200pF 50V K  |       | W0277-78          | NRSA63J-0R0X    | MG R            | 0.0Ω 1/16W J |       |
| C0337            | NCB21HK-104X | C CAP.    | 0.1μF 50V K   |       | W0284-86          | NRSA63J-0R0X    | MG R            | 0.0Ω 1/16W J |       |
| C0338            | QETN1HM-225Z | E CAP.    | 2.2μF 50V M   |       | W0290             | NRSA63J-0R0X    | MG R            | 0.0Ω 1/16W J |       |
| C0339            | NCB31HK-222X | C CAP.    | 2200pF 50V K  |       | W0292             | NRSA63J-0R0X    | MG R            | 0.0Ω 1/16W J |       |
| C0340            | NCB21HK-104X | C CAP.    | 0.1μF 50V K   |       | W0302             | NRSA63J-0R0X    | MG R            | 0.0Ω 1/16W J |       |
| C0343            | QETN1HM-105Z | E CAP.    | 1μF 50V M     |       | W0304-06          | NRSA63J-0R0X    | MG R            | 0.0Ω 1/16W J |       |
| C0371-72         | QENC1HM-105Z | E CAP.    | 1μF 50V M     |       | W0309             | NRSA63J-0R0X    | MG R            | 0.0Ω 1/16W J |       |
| C0373            | QETN1EM-476Z | E CAP.    | 47μF 25V M    |       | W0316             | NRSA63J-0R0X    | MG R            | 0.0Ω 1/16W J |       |
| C0391-92         | QETN1HM-474Z | E CAP.    | 0.47μF 50V M  |       | Y0151-52          | NRSA63J-0R0X    | MG R            | 0.0Ω 1/16W J |       |
| C0501-02         | QETN1HM-106Z | E CAP.    | 10μF 50V M    |       | Y0501-04          | NRSA63J-0R0X    | MG R            | 0.0Ω 1/16W J |       |
| C0504-05         | QETN1HM-105Z | E CAP.    | 1μF 50V M     |       | Y0551-52          | NRSA63J-0R0X    | MG R            | 0.0Ω 1/16W J |       |
| C0512            | QETN1HM-106Z | E CAP.    | 10μF 50V M    |       |                   |                 |                 |              |       |
| C0514            | QETN1HM-106Z | E CAP.    | 10μF 50V M    |       |                   |                 |                 |              |       |
| C0515-16         | QETN1HM-105Z | E CAP.    | 1μF 50V M     |       |                   |                 |                 |              |       |
| C0518            | NCB31HK-103X | C CAP.    | 0.01μF 50V K  |       |                   |                 |                 |              |       |
| C0519            | QETN1EM-476Z | E CAP.    | 47μF 25V M    |       |                   |                 |                 |              |       |
| C0520            | QETN1HM-106Z | E CAP.    | 10μF 50V M    |       |                   |                 |                 |              |       |
| C0521-22         | QETN1EM-476Z | E CAP.    | 47μF 25V M    |       |                   |                 |                 |              |       |
| C0526            | NCB31HK-103X | C CAP.    | 0.01μF 50V K  |       |                   |                 |                 |              |       |
| C0531-32         | NCB31HK-103X | C CAP.    | 0.01μF 50V K  |       |                   |                 |                 |              |       |
| <b>COIL</b>      |              |           |               |       |                   |                 |                 |              |       |
| L0202            | QQL244K-150Z | COIL      | 15μH K        |       |                   |                 |                 |              |       |
| L0211            | QQL244K-4R7Z | COIL      | 4.7μH K       |       |                   |                 |                 |              |       |
| L0242-43         | QQL244K-4R7Z | COIL      | 4.7μH K       |       |                   |                 |                 |              |       |
| L0261            | QQL244K-150Z | COIL      | 15μH K        |       |                   |                 |                 |              |       |

## REMOTE CONTROL UNIT PARTS LIST (RM-C306-1A)

| △ Ref.No. | Part No.    | Part Name     | Description | Local |
|-----------|-------------|---------------|-------------|-------|
|           | UR52EC1286A | BATTERY COVER |             |       |

## DIFFERENCE PARTS LIST BETWEEN AV-32230/AG, AV-32230/AH, AV-32230/AM AND AV-32230/AR

The picture tubes used for the models AV-32230/AG, AV-32230/AH, AV-32230/AM and AV-32230/AR are difference. The electrical parts are also difference according to the PICTURE TUBE.

In the DIFFERENCE PARTS LIST BETWEEN AV-32230/AG, AV-32230/AH, AV-32230/AM and AV-32230/AR, only difference points between these models are written. For other parts not mentioned in the list, please refer to the PARTS LIST(P40 – P45) for the AV-32230/AG.

## DIFFERENCE PARTS LIST

### MAIN PWB

| △ | Symbol No. | Part No.                             |                                      |                                  |                                  | Part Name       |
|---|------------|--------------------------------------|--------------------------------------|----------------------------------|----------------------------------|-----------------|
|   |            | AV-32230/AG                          | AV-32230/AH                          | AV-32230/AM                      | AV-32230/AR                      |                 |
|   |            | <b>SGC-1011A-M2</b>                  | <b>SGC-1012A-M2</b>                  | <b>SGC-1013A-M2</b>              | <b>SGC-1014A-M2</b>              | <b>MAIN PWB</b> |
|   | R1434      | QRL029J-181<br>(180Ω, 2W, J)         | ←                                    | QRL029J-221<br>(220Ω, 2W, J)     | QRL029J-181<br>(180Ω, 2W, J)     | OM R            |
|   | R1505      | QRL039J-821<br>(820Ω, 3W, J)         | QRL039J-102<br>(1kΩ, 3W, J)          | ←                                | ←                                | OM R            |
|   | R1545      | QRE121J-822Y<br>(8.2kΩ, 1/2W, J)     | ←                                    | QRE121J-153Y<br>(1.5kΩ, 1/2W, J) | QRE121J-822Y<br>(8.2kΩ, 1/2W, J) | C R             |
|   | R1553      | QRL039J-180<br>(18Ω, 3W, J)          | ←                                    | QRL039J-100<br>(10Ω, 3W, J)      | QRL039J-180<br>(18Ω, 3W, J)      | OM R            |
| △ | C1510      | QFZ0196-602<br>(6000pF, 1.5kVH, ±3%) | QFZ0196-532<br>(5300pF, 1.5kVH, ±3%) | ←                                | ←                                | MPP CAP.        |
| △ | C1515      | QFZ0197-754<br>(0.75μF, 250V, J)     | QFZ0197-564<br>(0.56μF, 250V, J)     | ←                                | ←                                | MPP CAP.        |
|   | C1801      | NCB31EK-104X<br>(0.1μF, 25V, K)      | NCB31CK-104X<br>(0.1μF, 16V, K)      | NCB31EK-104X<br>(0.1μF, 25V, K)  | ←                                | C CAP.          |
| △ | L1511      | QQR1027-003                          | ←                                    | ←                                | CE41029-00A                      | LINE FILTER     |
| △ | L1521      | QQLZ018-560<br>(56μH)                | ←                                    | QQLZ026-640<br>(64μH)            | QQLZ026-540<br>(54μH)            | HEATER CHOKE    |

### CRT SOCKET PWB

| △ | Symbol No. | Part No.            |                     |                     |                     | Part Name             |
|---|------------|---------------------|---------------------|---------------------|---------------------|-----------------------|
|   |            | AV-32230/AG         | AV-32230/AH         | AV-32230/AM         | AV-32230/AR         |                       |
|   |            | <b>SGC-3003A-M2</b> | <b>SGC-3004A-M2</b> | <b>SGC-3005A-M2</b> | <b>SGC-3011A-M2</b> | <b>CRT SOCKET PWB</b> |

# PRINTED WIRING BOARD PARTS LIST (AV-32260/AH)

## MAIN PW BOARD ASS'Y (SGC-1022A-M2)

| △               | Symbol No. | Part No.     | Part Name | Description   | Local | △               | Symbol No. | Part No.     | Part Name | Description       | Local |
|-----------------|------------|--------------|-----------|---------------|-------|-----------------|------------|--------------|-----------|-------------------|-------|
| <b>RESISTOR</b> |            |              |           |               |       | <b>RESISTOR</b> |            |              |           |                   |       |
|                 | R1001      | NRSA63J-473X | MG R      | 47kΩ 1/16W J  |       |                 | R1512      | QRE121J-681Y | C R       | 680Ω 1/2W J       |       |
|                 | R1002      | NRSA63J-0R0X | MG R      | 0.0Ω 1/16W J  |       | △               | R1523      | QRJ146J-333X | C R       | 33kΩ 1/4W J       |       |
|                 | R1003-04   | NRSA63J-221X | MG R      | 220Ω 1/16W J  |       | △               | R1525      | QRZ9011-470  | F R       | 47Ω 1/2W J        |       |
|                 | R1011      | NRSA63J-820X | MG R      | 82Ω 1/16W J   |       |                 | R1526      | QRE121J-272Y | C R       | 2.7kΩ 1/2W J      |       |
|                 | R1012      | NRSA63J-182X | MG R      | 1.8kΩ 1/16W J |       |                 | R1527-28   | QRE121J-154Y | C R       | 150kΩ 1/2W J      |       |
|                 | R1013      | NRSA63J-562X | MG R      | 5.6kΩ 1/16W J |       |                 | R1529      | NRSA63J-331X | MG R      | 330Ω 1/16W J      |       |
|                 | R1014      | QRE121J-101Y | C R       | 100Ω 1/2W J   |       | △               | R1531      | QRJ146J-391X | C R       | 390Ω 1/4W J       |       |
|                 | R1015      | NRSA63J-180X | MG R      | 18Ω 1/16W J   |       |                 | R1532      | NRSA63J-273X | MG R      | 27kΩ 1/16W J      |       |
|                 | R1016      | NRSA63J-270X | MG R      | 27Ω 1/16W J   |       |                 | R1533-34   | NRSA63J-123X | MG R      | 12kΩ 1/16W J      |       |
|                 | R1018      | NRSA63J-104X | MG R      | 100kΩ 1/16W J |       | △               | R1535      | NRVA02D-222X | MF R      | 2.2kΩ 1/10W ±0.5% |       |
|                 | R1020      | NRSA63J-332X | MG R      | 3.3kΩ 1/16W J |       | △               | R1537      | NRVA02D-752X | MF R      | 7.5kΩ 1/10W ±0.5% |       |
|                 | R1021      | NRSA63J-123X | MG R      | 12kΩ 1/16W J  |       |                 | R1538      | NRSA63J-333X | MG R      | 33kΩ 1/16W J      |       |
|                 | R1022      | NRSA63J-151X | MG R      | 150Ω 1/16W J  |       |                 | R1543      | QRE121J-122Y | C R       | 1.2kΩ 1/2W J      |       |
|                 | R1023      | NRSA63J-101X | MG R      | 100Ω 1/16W J  |       |                 | R1544      | QRE121J-392Y | C R       | 3.9kΩ 1/2W J      |       |
|                 | R1024      | NRSA63J-102X | MG R      | 1kΩ 1/16W J   |       |                 | R1545      | QRE121J-822Y | C R       | 8.2kΩ 1/2W J      |       |
|                 | R1025      | NRSA63J-561X | MG R      | 560Ω 1/16W J  |       |                 | R1546      | NRSA63J-331X | MG R      | 330Ω 1/16W J      |       |
|                 | R1026      | NRSA63J-331X | MG R      | 330Ω 1/16W J  |       |                 | R1547      | NRSA63J-104X | MG R      | 100kΩ 1/16W J     |       |
|                 | R1028      | NRSA63J-821X | MG R      | 820Ω 1/16W J  |       |                 | R1548      | QRE121J-152Y | C R       | 1.5kΩ 1/2W J      |       |
|                 | R1038      | NRSA63J-272X | MG R      | 2.7kΩ 1/16W J |       |                 | R1553      | QRL039J-180  | OM R      | 18Ω 3W J          |       |
|                 | R1041      | NRSA63J-272X | MG R      | 2.7kΩ 1/16W J |       |                 | R1601-03   | NRSA63J-750X | MG R      | 75Ω 1/16W J       |       |
|                 | R1042-43   | NRSA63J-102X | MG R      | 1kΩ 1/16W J   |       |                 | R1610-12   | NRSA63J-0R0X | MG R      | 0.0Ω 1/16W J      |       |
|                 | R1047      | NRSA63J-153X | MG R      | 15kΩ 1/16W J  |       |                 | R1621      | NRSA63J-222X | MG R      | 2.2kΩ 1/16W J     |       |
|                 | R1048      | NRSA63J-154X | MG R      | 150kΩ 1/16W J |       |                 | R1622      | NRSA63J-221X | MG R      | 220Ω 1/16W J      |       |
|                 | R1101-02   | NRSA63J-101X | MG R      | 100Ω 1/16W J  |       |                 | R1623      | NRSA63J-222X | MG R      | 2.2kΩ 1/16W J     |       |
|                 | R1111      | NRSA63J-105X | MG R      | 1MΩ 1/16W J   |       |                 | R1624      | NRSA63J-221X | MG R      | 220Ω 1/16W J      |       |
|                 | R1131      | NRSA63J-0R0X | MG R      | 0.0Ω 1/16W J  |       |                 | R1626-27   | NRSA63J-223X | MG R      | 22kΩ 1/16W J      |       |
|                 | R1134      | NRSA63J-562X | MG R      | 5.6kΩ 1/16W J |       |                 | R1631      | NRSA63J-333X | MG R      | 33kΩ 1/16W J      |       |
|                 | R1135-39   | NRSA63J-102X | MG R      | 1kΩ 1/16W J   |       |                 | R1632      | NRSA63J-223X | MG R      | 22kΩ 1/16W J      |       |
|                 | R1140      | NRSA63J-562X | MG R      | 5.6kΩ 1/16W J |       |                 | R1634      | NRSA63J-0R0X | MG R      | 0.0Ω 1/16W J      |       |
|                 | R1201      | NRSA63J-333X | MG R      | 33kΩ 1/16W J  |       |                 | R1700-02   | NRSA63J-102X | MG R      | 1kΩ 1/16W J       |       |
|                 | R1231      | NRSA63J-0R0X | MG R      | 0.0Ω 1/16W J  |       |                 | R1704-05   | NRSA63J-472X | MG R      | 4.7kΩ 1/16W J     |       |
|                 | R1237      | NRSA63J-392X | MG R      | 3.9kΩ 1/16W J |       |                 | R1706-07   | NRSA63J-103X | MG R      | 10kΩ 1/16W J      |       |
|                 | R1238      | NRSA63J-473X | MG R      | 47kΩ 1/16W J  |       |                 | R1708-09   | NRSA63J-101X | MG R      | 100Ω 1/16W J      |       |
|                 | R1241      | NRSA63J-332X | MG R      | 3.3kΩ 1/16W J |       |                 | R1714      | NRSA63J-823X | MG R      | 82kΩ 1/16W J      |       |
|                 | R1243      | NRSA63J-152X | MG R      | 1.5kΩ 1/16W J |       |                 | R1715      | NRSA63J-103X | MG R      | 10kΩ 1/16W J      |       |
|                 | R1281      | NRSA63J-182X | MG R      | 1.8kΩ 1/16W J |       |                 | R1721-22   | NRSA63J-102X | MG R      | 1kΩ 1/16W J       |       |
|                 | R1282      | NRSA63J-392X | MG R      | 3.9kΩ 1/16W J |       |                 | R1724      | NRSA63J-102X | MG R      | 1kΩ 1/16W J       |       |
|                 | R1283      | NRSA63J-681X | MG R      | 680Ω 1/16W J  |       |                 | R1726      | NRSA63J-102X | MG R      | 1kΩ 1/16W J       |       |
|                 | R1286      | NRSA63J-472X | MG R      | 4.7kΩ 1/16W J |       |                 | R1728      | NRSA63J-102X | MG R      | 1kΩ 1/16W J       |       |
|                 | R1287      | NRSA63J-101X | MG R      | 100Ω 1/16W J  |       |                 | R1729      | NRSA63J-223X | MG R      | 22kΩ 1/16W J      |       |
|                 | R1288      | NRSA02J-471X | MG R      | 470Ω 1/10W J  |       |                 | R1731-32   | NRSA63J-101X | MG R      | 100Ω 1/16W J      |       |
|                 | R1289      | NRSA63J-154X | MG R      | 150kΩ 1/16W J |       |                 | R1733-34   | NRSA63J-562X | MG R      | 5.6kΩ 1/16W J     |       |
|                 | R1290      | NRSA02J-561X | MG R      | 560Ω 1/10W J  |       |                 | R1737      | NRSA63J-222X | MG R      | 2.2kΩ 1/16W J     |       |
|                 | R1292      | NRSA63J-124X | MG R      | 120kΩ 1/16W J |       |                 | R1738      | NRSA63J-102X | MG R      | 1kΩ 1/16W J       |       |
|                 | R1293      | NRSA63J-224X | MG R      | 220kΩ 1/16W J |       |                 | R1739      | NRSA63J-272X | MG R      | 2.7kΩ 1/16W J     |       |
|                 | R1294      | NRSA63J-101X | MG R      | 100Ω 1/16W J  |       |                 | R1740      | NRSA63J-103X | MG R      | 10kΩ 1/16W J      |       |
|                 | R1295      | NRSA63J-222X | MG R      | 2.2kΩ 1/16W J |       |                 | R1741      | NRSA63J-0R0X | MG R      | 0.0Ω 1/16W J      |       |
|                 | R1301-03   | NRSA63J-222X | MG R      | 2.2kΩ 1/16W J |       |                 | R1742-44   | NRSA63J-103X | MG R      | 10kΩ 1/16W J      |       |
|                 | R1304-06   | NRSA63J-101X | MG R      | 100Ω 1/16W J  |       |                 | R1749-51   | NRSA63J-222X | MG R      | 2.2kΩ 1/16W J     |       |
|                 | R1354-55   | NRSA63J-0R0X | MG R      | 0.0Ω 1/16W J  |       |                 | R1752      | NRSA63J-102X | MG R      | 1kΩ 1/16W J       |       |
|                 | R1356      | NRSA63J-123X | MG R      | 12kΩ 1/16W J  |       |                 | R1753      | NRSA63J-0R0X | MG R      | 0.0Ω 1/16W J      |       |
|                 | R1359      | NRSA63J-103X | MG R      | 10kΩ 1/16W J  |       |                 | R1754      | NRSA63J-102X | MG R      | 1kΩ 1/16W J       |       |
|                 | R1360      | NRSA63J-0R0X | MG R      | 0.0Ω 1/16W J  |       |                 | R1755      | NRSA63J-153X | MG R      | 15kΩ 1/16W J      |       |
|                 | R1421      | NRSA63J-822X | MG R      | 8.2kΩ 1/16W J |       |                 | R1756      | NRSA63J-103X | MG R      | 10kΩ 1/16W J      |       |
|                 | R1423-24   | NRSA63J-393X | MG R      | 39kΩ 1/16W J  |       |                 | R1764-68   | NRSA63J-221X | MG R      | 220Ω 1/16W J      |       |
|                 | R1426      | NRSA63J-183X | MG R      | 18kΩ 1/16W J  |       |                 | R1769      | NRSA63J-682X | MG R      | 6.8kΩ 1/16W J     |       |
|                 | R1427      | QRT029J-1R5  | MF R      | 1.5Ω 2W J     |       |                 | R1772      | NRSA63J-103X | MG R      | 10kΩ 1/16W J      |       |
|                 | R1429      | NRSA63J-272X | MG R      | 2.7kΩ 1/16W J |       |                 | R1775      | NRSA63J-473X | MG R      | 47kΩ 1/16W J      |       |
|                 | R1430      | NRSA63J-0R0X | MG R      | 0.0Ω 1/16W J  |       |                 | R1776      | NRSA63J-103X | MG R      | 10kΩ 1/16W J      |       |
|                 | R1431      | NRSA63J-152X | MG R      | 1.5kΩ 1/16W J |       |                 | R1793-95   | NRSA63J-331X | MG R      | 330Ω 1/16W J      |       |
|                 | R1432      | NRSA63J-101X | MG R      | 100Ω 1/16W J  |       |                 | R1798-99   | NRSA63J-103X | MG R      | 10kΩ 1/16W J      |       |
|                 | R1433      | NRSA63J-681X | MG R      | 680Ω 1/16W J  |       |                 | R1800      | NRSA63J-102X | MG R      | 1kΩ 1/16W J       |       |
|                 | R1434      | QRL029J-181  | OM R      | 180Ω 2W J     |       |                 | R1806      | NRSA63J-0R0X | MG R      | 0.0Ω 1/16W J      |       |
|                 | R1435      | QRE121J-102Y | C R       | 1kΩ 1/2W J    |       |                 | R1807      | NRSA63J-222X | MG R      | 2.2kΩ 1/16W J     |       |
|                 | R1441-42   | NRSA63J-0R0X | MG R      | 0.0Ω 1/16W J  |       |                 | R1810      | NRSA63J-0R0X | MG R      | 0.0Ω 1/16W J      |       |
|                 | R1444      | NRSA63J-183X | MG R      | 18kΩ 1/16W J  |       |                 | R1811      | NRSA63J-473X | MG R      | 47kΩ 1/16W J      |       |
|                 | R1445      | NRSA63J-103X | MG R      | 10kΩ 1/16W J  |       |                 | R1812      | NRSA63J-102X | MG R      | 1kΩ 1/16W J       |       |
|                 | R1501      | NRSA63J-0R0X | MG R      | 0.0Ω 1/16W J  |       |                 | R1814      | NRSA63J-104X | MG R      | 100kΩ 1/16W J     |       |
|                 | R1502      | NRSA63J-271X | MG R      | 270Ω 1/16W J  |       |                 | R1815      | NRSA63J-154X | MG R      | 150kΩ 1/16W J     |       |
|                 | R1503      | QRE121J-103Y | C R       | 10kΩ 1/2W J   |       |                 | R1816      | NRSA63J-0R0X | MG R      | 0.0Ω 1/16W J      |       |
|                 | R1504-05   | QRL039J-102  | OM R      | 1kΩ 3W J      |       |                 | R1817      | NRSA63J-104X | MG R      | 100kΩ 1/16W J     |       |
|                 | R1511      | QRE121J-220Y | C R       | 22Ω 1/2W J    |       |                 | R1818      | NRSA63J-0R0X | MG R      | 0.0Ω 1/16W J      |       |

| △ Symbol No.    | Part No.     | Part Name | Description   | Local |
|-----------------|--------------|-----------|---------------|-------|
| <b>RESISTOR</b> |              |           |               |       |
| R1821           | NRSA63J-104X | MG R      | 100kΩ 1/16W J |       |
| R1822           | NRSA63J-124X | MG R      | 120kΩ 1/16W J |       |
| R1824           | NRSA63J-103X | MG R      | 10kΩ 1/16W J  |       |
| R1827           | NRSA63J-102X | MG R      | 1kΩ 1/16W J   |       |
| R1856           | QRX039J-6R8  | MF R      | 6.8Ω J        |       |
| △ R1857         | QRL029J-270  | OM R      | 27Ω 2W J      |       |
| △ R1858         | QRL029J-180  | OM R      | 18Ω 2W J      |       |
| △ R1901         | QRF074K-R47  | UNF R     | 0.47Ω 7W K    |       |
| △ R1909         | QRG01GJ-470  | OM R      | 47Ω 1W J      |       |
| R1911           | QRE121J-223Y | C R       | 22kΩ 1/2W J   |       |
| R1912-13        | QRT029J-R22  | MF R      | 0.22Ω 2W J    |       |
| R1914           | QRK126J-681X | C R       | 680Ω 1/2W J   |       |
| R1915           | QRE121J-6R8Y | C R       | 6.8Ω 1/2W J   |       |
| △ R1917         | QRK126J-332X | C R       | 3.3kΩ 1/2W J  |       |
| R1918           | QRE121J-222Y | C R       | 2.2kΩ 1/2W J  |       |
| R1919           | QRE121J-684Y | C R       | 680kΩ 1/2W J  |       |
| R1924           | QRE121J-222Y | C R       | 2.2kΩ 1/2W J  |       |
| R1930           | QRE121J-223Y | C R       | 22kΩ 1/2W J   |       |
| R1939           | QRT039J-2R2  | MF R      | 2.2Ω 3W J     |       |
| R1940           | QRE121J-181Y | C R       | 180Ω 1/2W J   |       |
| R1941           | QRL029J-183  | OM R      | 18kΩ 2W J     |       |
| R1951           | NRSA63J-473X | MG R      | 47kΩ 1/16W J  |       |
| R1952           | NRSA63J-102X | MG R      | 1kΩ 1/16W J   |       |
| R1953           | QRE121J-820Y | C R       | 82Ω 1/2W J    |       |
| R1973           | QRE121J-272Y | C R       | 2.7kΩ 1/2W J  |       |
| R1975           | QRE121J-223Y | C R       | 22kΩ 1/2W J   |       |
| R1977           | QRE121J-473Y | C R       | 47kΩ 1/2W J   |       |
| R1978           | NRSA63J-333X | MG R      | 33kΩ 1/16W J  |       |
| R1979           | QRT029J-1R2  | MF R      | 1.2Ω 2W J     |       |
| R1980           | QRT029J-1R2  | MF R      | 1.2Ω 2W J     |       |
| △ R1998         | QRZ904I-275  | C R       | 2.7MΩ 1/2W K  |       |
| R1999           | QRE121J-121Y | C R       | 120Ω 1/2W J   |       |

**CAPACITOR**

|          |              |         |               |  |
|----------|--------------|---------|---------------|--|
| C1001    | QETN1HM-475Z | E CAP.  | 4.7μF 50V M   |  |
| C1002    | QETN1HM-106Z | E CAP.  | 10μF 50V M    |  |
| C1003    | QETN1CM-108Z | E CAP.  | 1000μF 16V M  |  |
| C1011-12 | NCB31HK-103X | C CAP.  | 0.01μF 50V K  |  |
| C1013    | NDC31HJ-151X | C CAP.  | 150pF 50V J   |  |
| C1014    | QETN1CM-107Z | E CAP.  | 100μF 16V M   |  |
| C1015-16 | NCB31HK-103X | C CAP.  | 0.01μF 50V K  |  |
| C1021    | QFV71HJ-824Z | MF CAP. | 0.82μF 50V J  |  |
| C1023    | QETN1CM-107Z | E CAP.  | 100μF 16V M   |  |
| C1024    | NCB31HK-103X | C CAP.  | 0.01μF 50V K  |  |
| C1025    | NCB31HK-102X | C CAP.  | 1000pF 50V K  |  |
| C1026    | QETN1HM-474Z | E CAP.  | 0.47μF 50V M  |  |
| C1027    | NCB21HK-104X | C CAP.  | 0.1μF 50V K   |  |
| C1028    | QETN1HM-106Z | E CAP.  | 10μF 50V M    |  |
| C1030    | NCB31HK-103X | C CAP.  | 0.01μF 50V K  |  |
| C1034    | NCB31HK-103X | C CAP.  | 0.01μF 50V K  |  |
| C1036    | QETN1AM-477Z | E CAP.  | 470μF 10V M   |  |
| C1037    | NCB31HK-103X | C CAP.  | 0.01μF 50V K  |  |
| C1038    | QETN1CM-107Z | E CAP.  | 100μF 16V M   |  |
| C1041-42 | QETN1HM-106Z | E CAP.  | 10μF 50V M    |  |
| C1043-44 | NDC31HJ-470X | C CAP.  | 47pF 50V J    |  |
| C1045    | QETN1HM-106Z | E CAP.  | 10μF 50V M    |  |
| C1046    | NCB31HK-103X | C CAP.  | 0.01μF 50V K  |  |
| C1047    | NDC21HJ-330X | C CAP.  | 33pF 50V J    |  |
| C1048    | NCB31HK-103X | C CAP.  | 0.01μF 50V K  |  |
| C1111    | QETNOJM-228Z | E CAP.  | 2200μF 6.3V M |  |
| C1112    | NCB31HK-103X | C CAP.  | 0.01μF 50V K  |  |
| C1113    | QETN1HM-474Z | E CAP.  | 0.47μF 50V M  |  |
| C1114    | QETN1HM-105Z | E CAP.  | 1μF 50V M     |  |
| C1115    | QFV71HJ-104Z | MF CAP. | 0.1μF 50V J   |  |
| C1116    | NCB31EK-104X | C CAP.  | 0.1μF 25V K   |  |
| C1134    | NDC31HJ-470X | C CAP.  | 47pF 50V J    |  |
| C1135    | NDC31HJ-330X | C CAP.  | 33pF 50V J    |  |
| C1136    | QENC1CM-106Z | E CAP.  | 10μF 16V M    |  |
| C1151    | NCB31HK-103X | C CAP.  | 0.01μF 50V K  |  |
| C1201    | NDC31HJ-100X | C CAP.  | 10pF 50V J    |  |
| C1202    | QETN1HM-224Z | E CAP.  | 0.22μF 50V M  |  |
| C1203    | NCB31HK-222X | C CAP.  | 2200pF 50V K  |  |

| △ Symbol No.     | Part No.     | Part Name | Description        | Local |
|------------------|--------------|-----------|--------------------|-------|
| <b>CAPACITOR</b> |              |           |                    |       |
| C1233            | NDC31HJ-560X | C CAP.    | 56pF 50V J         |       |
| C1237            | NCB31HK-103X | C CAP.    | 0.01μF 50V K       |       |
| C1281            | QFV71HJ-474Z | MF CAP.   | 0.47μF 50V J       |       |
| C1282            | QETN1CM-227Z | E CAP.    | 220μF 16V M        |       |
| C1283            | NCB31HK-103X | C CAP.    | 0.01μF 50V K       |       |
| C1284            | QETN1HM-225Z | E CAP.    | 2.2μF 50V M        |       |
| C1285            | NCB31HK-103X | C CAP.    | 0.01μF 50V K       |       |
| C1286            | QETN1HM-106Z | E CAP.    | 10μF 50V M         |       |
| C1287            | QETN1CM-107Z | E CAP.    | 100μF 16V M        |       |
| C1288            | NCB31HK-103X | C CAP.    | 0.01μF 50V K       |       |
| C1352            | QETN1CM-336Z | E CAP.    | 33μF 16V M         |       |
| C1354            | QFV71HJ-154Z | MF CAP.   | 0.15μF 50V J       |       |
| C1391            | QETN1CM-107Z | E CAP.    | 100μF 16V M        |       |
| C1392            | NCB31HK-103X | C CAP.    | 0.01μF 50V K       |       |
| C1393-95         | NCB31EK-104X | C CAP.    | 0.1μF 25V K        |       |
| C1421            | NCB21HK-102X | C CAP.    | 1000pF 50V K       |       |
| C1422            | QFLC1HJ-103Z | M CAP.    | 0.01μF 50V J       |       |
| C1424            | QETN1VM-107Z | E CAP.    | 100μF 35V M        |       |
| C1425            | QETN1VM-477Z | E CAP.    | 470μF 35V M        |       |
| C1427            | QETN1HM-105Z | E CAP.    | 1μF 50V M          |       |
| C1428            | QETM1EM-228  | E CAP.    | 2200μF 25V M       |       |
| C1430            | NCB21CK-474X | C CAP.    | 0.47μF 16V K       |       |
| C1431            | QFLC2AK-563Z | M CAP.    | 0.056μF 100V K     |       |
| C1433            | QETN1EM-476Z | E CAP.    | 47μF 25V M         |       |
| C1434            | NDC21HJ-100X | C CAP.    | 10pF 50V J         |       |
| C1435            | NCB21HK-183X | C CAP.    | 0.018μF 50V K      |       |
| C1501            | QCB32HK-151Z | C CAP.    | 150pF 500V K       |       |
| C1502            | QCB32HK-331Z | C CAP.    | 330pF 500V K       |       |
| C1503            | QEHR2CM-105Z | E CAP.    | 1μF 160V M         |       |
| C1504            | QEZ0203-107  | E CAP.    | 100μF 160V M       |       |
| C1507-08         | QEM61HK-475Z | E CAP.    | 4.7μF 50V K        |       |
| △ C1510          | QFZ0196-532  | MPP CAP.  | 5300pF 1.5kVH ±3%  |       |
| △ C1513          | QFZ0198-133  | MPP CAP.  | 0.013μF 1.5kVH ±3% |       |
| △ C1514          | QFP32GJ-183  | PP CAP.   | 0.018μF 400V J     |       |
| △ C1515          | QFZ0197-564  | MPP CAP.  | 0.56μF 250V J      |       |
| C1516            | QCB32HK-561Z | C CAP.    | 560pF 500V K       |       |
| C1521            | QETN2EM-106Z | E CAP.    | 10μF 250V M        |       |
| C1523            | QEHR1VM-108Z | E CAP.    | 1000μF 35V M       |       |
| C1525            | QETN1VM-107Z | E CAP.    | 100μF 35V M        |       |
| C1526            | QFV21HJ-824Z | MF CAP.   | 0.82μF 50V J       |       |
| C1527            | QFLC2AJ-103Z | M CAP.    | 0.01μF 100V J      |       |
| C1531            | QCB32HK-102Z | C CAP.    | 1000pF 500V K      |       |
| C1533            | QETN1HM-106Z | E CAP.    | 10μF 50V M         |       |
| C1601-03         | QETN1EM-476Z | E CAP.    | 47μF 25V M         |       |
| C1609-11         | QFV71HJ-104Z | MF CAP.   | 0.1μF 50V J        |       |
| C1621            | NCB31HK-102X | C CAP.    | 1000pF 50V K       |       |
| C1622            | NCF21CZ-105X | C CAP.    | 1μF 16V Z          |       |
| C1623            | NCB31HK-102X | C CAP.    | 1000pF 50V K       |       |
| C1624            | NCF21CZ-105X | C CAP.    | 1μF 16V Z          |       |
| C1625            | QETN1CM-107Z | E CAP.    | 100μF 16V M        |       |
| C1626            | QETN1EM-108Z | E CAP.    | 1000μF 25V M       |       |
| C1627            | QETN1HM-474Z | E CAP.    | 0.47μF 50V M       |       |
| C1628-29         | QETN1EM-108Z | E CAP.    | 1000μF 25V M       |       |
| C1634            | QETN1HM-106Z | E CAP.    | 10μF 50V M         |       |
| C1700            | NCB31HK-102X | C CAP.    | 1000pF 50V K       |       |
| C1702            | NCB31EK-104X | C CAP.    | 0.1μF 25V K        |       |
| C1703            | NDC31HJ-181X | C CAP.    | 180pF 50V J        |       |
| C1706            | QETN1HM-105Z | E CAP.    | 1μF 50V M          |       |
| C1707            | QETN1CM-107Z | E CAP.    | 100μF 16V M        |       |
| C1710            | NCB31CK-683X | C CAP.    | 0.068μF 16V K      |       |
| C1721            | NCB31HK-103X | C CAP.    | 0.01μF 50V K       |       |
| C1722-23         | NDC31HJ-390X | C CAP.    | 39pF 50V J         |       |
| C1724            | NDC31HJ-471X | C CAP.    | 470pF 50V J        |       |
| C1726            | NDC31HJ-561X | C CAP.    | 560pF 50V J        |       |
| C1728            | NCB31HK-103X | C CAP.    | 0.01μF 50V K       |       |
| C1800            | QETN1EM-107Z | E CAP.    | 100μF 25V M        |       |
| C1801            | NCB31EK-104X | C CAP.    | 0.1μF 25V K        |       |
| C1802            | QETN1CM-107Z | E CAP.    | 100μF 16V M        |       |
| C1804            | NCB31HK-103X | C CAP.    | 0.01μF 50V K       |       |
| C1807            | QETN1HM-106Z | E CAP.    | 10μF 50V M         |       |
| C1810            | QENC1HM-474Z | BP E CAP. | 0.47μF 50V M       |       |
| C1811            | QENC1HM-105Z | E CAP.    | 1μF 50V M          |       |

| △                  | Symbol No. | Part No.       | Part Name       | Description   | Local | △                 | Symbol No. | Part No.        | Part Name       | Description   | Local |
|--------------------|------------|----------------|-----------------|---------------|-------|-------------------|------------|-----------------|-----------------|---------------|-------|
| <b>CAPACITOR</b>   |            |                |                 |               |       | <b>DIODE</b>      |            |                 |                 |               |       |
|                    | C1812-13   | NCB31HK-102X   | C CAP.          | 1000pF 50V    | K     |                   | D1525-26   | 1SS81-T5        | SI.DIODE        |               |       |
|                    | C1816      | NCB31HK-153X   | C CAP.          | 0.015μF 50V   | K     |                   | D1527      | 1SR124-400A-T2  | SI.DIODE        |               |       |
|                    | C1853-54   | QETN1CM-107Z   | E CAP.          | 100μF 16V     | M     |                   | D1529      | MTZJ5.1C-T2     | ZENER DIODE     |               |       |
|                    | C1856-57   | QETN1CM-107Z   | E CAP.          | 100μF 16V     | M     | △                 | D1531      | MA4068N/Z1/-T2  | ZENER DIODE     |               |       |
| △                  | C1901      | QFZ9067-104    | MM CAP.         | 0.1μF         |       |                   | D1535      | 1SS133-T2       | SI.DIODE        |               |       |
| △                  | C1902      | QFZ9067-473    | MM CAP.         | 0.047μF       |       |                   | D1537      | 1SR35-400A-T2   | SI.DIODE        |               |       |
| △                  | C1904-06   | QCZ9054-102    | C CAP.          | 1000pF AC250V | Z     |                   | D1601      | MTZJ9.1C-T2     | ZENER DIODE     |               |       |
| △                  | C1907      | QEZO169-477    | E CAP.          | 470μF 200V    | M     |                   | D1603      | MTZJ9.1C-T2     | ZENER DIODE     |               |       |
| △                  | C1908      | QCZ9054-102    | C CAP.          | 1000pF AC250V | Z     |                   | D1606      | MTZJ9.1C-T2     | ZENER DIODE     |               |       |
|                    | C1912      | QCZ0340-222    | C CAP.          | 2200pF        |       |                   | D1700      | MTZJ5.6B-T2     | ZENER DIODE     |               |       |
|                    | C1913      | QFLC1HJ-471Z   | M CAP.          | 470pF 50V     | J     |                   | D1701      | 1SS133-T2       | SI.DIODE        |               |       |
|                    | C1914      | QETN1HM-107Z   | E CAP.          | 100μF 50V     | M     |                   | D1703-04   | MTZJ5.6B-T2     | ZENER DIODE     |               |       |
|                    | C1916      | NDC31HJ-331X   | C CAP.          | 330pF 50V     | J     |                   | D1716      | 1SS133-T2       | SI.DIODE        |               |       |
|                    | C1917      | NCB31HK-182X   | C CAP.          | 1800pF 50V    | K     |                   | D1721      | 1SS133-T2       | SI.DIODE        |               |       |
|                    | C1918      | NCB21HK-104X   | C CAP.          | 0.1μF 50V     | K     |                   | D1722      | 1SS133-T2       | SI.DIODE        |               |       |
|                    | C1919      | QFP32GJ-103    | PP CAP.         | 0.01μF 400V   | J     |                   | D1723-24   | MTZJ5.6B-T2     | ZENER DIODE     |               |       |
|                    | C1931      | QEZO203-107    | E CAP.          | 100μF 160V    | M     |                   | D1801      | 1SS133-T2       | SI.DIODE        |               |       |
|                    | C1933      | QETN1CM-108Z   | E CAP.          | 1000μF 16V    | M     |                   | D1810      | MTZJ5.6B-T2     | ZENER DIODE     |               |       |
|                    | C1934      | NDC31HJ-221X   | C CAP.          | 220pF 50V     | J     |                   | D1811      | 1SS133-T2       | SI.DIODE        |               |       |
|                    | C1935      | QETN1EM-108Z   | E CAP.          | 1000μF 25V    | M     | △                 | D1901      | GSIB460-S1      | BRIDGE DIODE    |               |       |
|                    | C1937      | QCZ0340-102    | C CAP.          | 1000pF        |       |                   | D1910      | MA700A-T2       | SI.DIODE        |               |       |
|                    | C1938      | QETN1CM-477Z   | E CAP.          | 470μF 16V     | M     | △                 | D1911-13   | RGP10J-5025-T3  | SI.DIODE        |               |       |
|                    | C1939      | QCB32HK-152Z   | C CAP.          | 1500pF 500V   | K     |                   | D1914      | 1SS133-T2       | SI.DIODE        |               |       |
|                    | C1941      | QCB32HK-102Z   | C CAP.          | 1000pF 500V   | K     |                   | D1915      | SARS01-T2       | SI.DIODE        |               |       |
|                    | C1942      | QEHR1HM-105Z   | E CAP.          | 1μF 50V       | M     |                   | D1917      | MTZJ30A-T2      | ZENER DIODE     |               |       |
|                    | C1951      | QETN1EM-477Z   | E CAP.          | 470μF 25V     | M     |                   | D1918      | MTZJ5.1C-T2     | ZENER DIODE     |               |       |
|                    | C1952      | QETN1CM-227Z   | E CAP.          | 220μF 16V     | M     |                   | D1920      | 1SS133-T2       | SI.DIODE        |               |       |
|                    | C1971      | QETN1CM-107Z   | E CAP.          | 100μF 16V     | M     |                   | D1931      | RU30A-F1        | SI.DIODE        |               |       |
|                    | C1972      | QETN1EM-476Z   | E CAP.          | 47μF 25V      | M     |                   | D1933      | RU3YX-LFC4      | SI.DIODE        |               |       |
|                    | C1973      | QETN1HM-106Z   | E CAP.          | 10μF 50V      | M     |                   | D1935      | RU3YX-LFC4      | SI.DIODE        |               |       |
| △                  | C1997      | QCZ9052-102    | C CAP.          | 1000pF AC125V | M     |                   | D1941      | MTZJ33A-T2      | ZENER DIODE     |               |       |
| △                  | C1998-99   | QCZ9074-103    | C CAP.          | 0.01μF AC125V | M     |                   | D1945      | MTZJ9.1B-T2     | ZENER DIODE     |               |       |
| <b>TRANSFORMER</b> |            |                |                 |               |       | <b>TRANSISTOR</b> |            |                 |                 |               |       |
|                    | T1501      | CE42034-002    | H.DRIVE TRANSF. |               |       |                   | D1952-53   | 1SS133-T2       | SI.DIODE        |               |       |
| △                  | T1502      | QQH0100-001    | FBT             |               |       |                   | D1954-57   | 1SR35-400A-T2   | SI.DIODE        |               |       |
| △                  | T1921      | QQS0118-001    | SW TRANSF       |               |       |                   | D1972      | MTZJ15C-T2      | ZENER DIODE     |               |       |
| △                  | T1951      | QQT0355-001    | POWER TRANSF    |               |       |                   | D1973      | 1SS133-T2       | SI.DIODE        |               |       |
| <b>COIL</b>        |            |                |                 |               |       | <b>TRANSISTOR</b> |            |                 |                 |               |       |
| △                  | L1001      | QQL244K-560Z   | COIL            | 56μH          | K     |                   | Q1011      | 2SC5083/L-P/-T  | SI.TRANSISTOR   |               |       |
|                    | L1012      | QQLZ014-R39    | PEAKING COIL    | 0.39μH        |       |                   | Q1021      | 2SC2412K/QR/-X  | SI.TRANSISTOR   |               |       |
|                    | L1021      | QRN143J-0R0X   | C R             | 0.0Ω          | 1/4W  | J                 | Q1024      | 2SC2412K/QR/-X  | SI.TRANSISTOR   |               |       |
|                    | L1022      | QQL244K-220Z   | PEAKING COIL    | 22μH          |       | K                 | Q1025      | 2SA1037AK/QR/-X | SI.TRANSISTOR   |               |       |
|                    | L1027      | QRN143J-0R0X   | C R             | 0.0Ω          | 1/4W  | J                 | Q1041      | 2SA1037AK/QR/-X | SI.TRANSISTOR   |               |       |
|                    | L1041      | QRN143J-0R0X   | C R             | 0.0Ω          | 1/4W  | J                 | Q1131-33   | 2SC2412K/QR/-X  | SI.TRANSISTOR   |               |       |
|                    | L1042      | QQL244K-220Z   | PEAKING COIL    | 22μH          |       | K                 | Q1150      | 2SA1037AK/QR/-X | SI.TRANSISTOR   |               |       |
|                    | L1101      | QQL244K-470Z   | COIL            | 47μH          |       | K                 | Q1232-33   | 2SC2412K/QR/-X  | SI.TRANSISTOR   |               |       |
|                    | L1232      | QQL244K-560Z   | COIL            | 56μH          |       | K                 | Q1352      | 2SC2412K/QR/-X  | SI.TRANSISTOR   |               |       |
| △                  | L1511      | QQR1027-003    | LINE FILTER     |               |       |                   | Q1431      | UN2212-X        | DEGI.TRANSISTOR |               |       |
|                    | L1512      | QQLZ027-821    | CHOKO COIL      | 820μH         |       |                   | Q1501      | 2SC4212/Z1/     | SI.TRANSISTOR   |               |       |
| △                  | L1521      | QQLZ018-560    | HEATER CHOKO    | 56μH          |       |                   | △          | Q1511           | 2SD2645-YD      | TRANSISTOR    |       |
|                    | L1700      | QQL244K-4R7Z   | COIL            | 4.7μH         |       | K                 | Q1531      | 2SC2785/JH/-T   | SI.TRANSISTOR   |               |       |
|                    | L1810      | QQL244J-100Z   | COIL            | 10μH          |       | J                 | Q1532      | 2SA1037AK/QR/-X | SI.TRANSISTOR   |               |       |
|                    | L1931      | QQL26AK-470Z   | COIL            | 47μH          |       | K                 | Q1541-42   | 2SA1037AK/QR/-X | SI.TRANSISTOR   |               |       |
|                    | L1933      | QQL26AK-470Z   | COIL            | 47μH          |       | K                 | △          | Q1543           | 2SD1408/OY/-LB  | SI.TRANSISTOR |       |
|                    | L1940      | QQR0582-001Z   | BEADS CORE      |               |       |                   | Q1621      | UN2212-X        | DEGI.TRANSISTOR |               |       |
| <b>DIODE</b>       |            |                |                 |               |       | <b>TRANSISTOR</b> |            |                 |                 |               |       |
|                    | D1010      | MTZJ9.1C-T2    | ZENER DIODE     |               |       |                   | Q1622      | 2SC2412K/QR/-X  | SI.TRANSISTOR   |               |       |
|                    | D1101-02   | MTZJ5.6B-T2    | ZENER DIODE     |               |       |                   | Q1623      | UN2212-X        | DEGI.TRANSISTOR |               |       |
|                    | D1305-10   | 1SS133-T2      | SI.DIODE        |               |       |                   | Q1700      | 2SC2412K/QR/-X  | SI.TRANSISTOR   |               |       |
|                    | D1352      | MTZJ9.1C-T2    | ZENER DIODE     |               |       |                   | Q1701      | 2SA1037AK/QR/-X | SI.TRANSISTOR   |               |       |
|                    | D1353      | 1SS133-T2      | SI.DIODE        |               |       |                   | Q1706      | 2SC2412K/QR/-X  | SI.TRANSISTOR   |               |       |
|                    | D1421      | 1N4003-T2      | SI.DIODE        |               |       |                   | Q1711      | UN2212-X        | DEGI.TRANSISTOR |               |       |
|                    | D1422      | MTZJ75-T2      | ZENER DIODE     |               |       |                   | Q1810      | UN2213-X        | DIGI TRANSISTOR |               |       |
|                    | D1424      | 1SS133-T2      | SI.DIODE        |               |       |                   | Q1951      | 2SD1383K/AB/-X  | SI.TRANSISTOR   |               |       |
|                    | D1501      | RH3G-F1        | SI.DIODE        |               |       |                   | Q1971      | 2SA1208/ST/Z1-T | SI.TRANSISTOR   |               |       |
| △                  | D1502      | RU3AM-LFC4     | SI.DIODE        |               |       |                   | <b>IC</b>  |                 |                 |               |       |
|                    | D1521      | RH1S-T3        | SI.DIODE        |               |       |                   | IC1101     | TB1253AN        | I.C(M)          |               |       |
| △                  | D1523      | RGP10J-5025-T3 | SI.DIODE        |               |       |                   | △          | IC1421          | LA7841          | I.C(MONO-ANA) |       |
|                    |            |                |                 |               |       |                   | △          | IC1621          | LA4485          | I.C(MONO-ANA) |       |
|                    |            |                |                 |               |       |                   | IC1701     | MN1876478JW     | I.C(MICRO-COMP) |               |       |
|                    |            |                |                 |               |       |                   | IC1702     | AT24C04-GC1     | I.C(MEMORY-OTH) | (SERVICE)     |       |

## CRT SOCKET PW BOARD ASS'Y (SGC-3004A-M2)

| △ Symbol No.  | Part No.        | Part Name       | Description  | Local |
|---------------|-----------------|-----------------|--------------|-------|
| <b>IC</b>     |                 |                 |              |       |
| IC1703        | L78LR05E-MA     | I.C(MONO-ANA)   |              |       |
| IC1852        | AN7809F         | I.C(MONO-ANA)   |              |       |
| IC1853        | AN7805F         | I.C(MONO-ANA)   |              |       |
| △ IC1911      | STR-G6624/F8    | I.C(HYBRID)     |              |       |
| △ IC1921      | SE135N          | I.C(HYBRID)     |              |       |
| <b>OTHERS</b> |                 |                 |              |       |
| CF1001        | QAX0349-001     | CERAMIC FILTER  |              |       |
| CF1021        | QAX0639-001Z    | CERAMIC FILTER  |              |       |
| CF1041        | QAX0642-001Z    | CERAMIC FILTER  |              |       |
| △ CN10PW      | QMPD390-200-JS  | POWER CORD      |              |       |
| △ CP1932      | ICP-N70-T       | I.C.PROTECT     |              |       |
| △ CP1936      | ICP-N70-T       | I.C.PROTECT     |              |       |
| △ F1901       | QMF51U1-5R0-J8  | FUSE            |              |       |
| △ F1905       | QMFZ034-5R0Z-J1 | FUSE            |              |       |
| △ FC1901      | CEMG002-001Z    | FUSE CLIP       |              |       |
| △ FR1521      | QRK129J-150     | C R             | 15Ω 1/2W J   |       |
| △ FR1523      | QRX029J-3R3     | MF R            |              |       |
| △ FR1525      | QRZ9017-4R7     | F R             | 4.7Ω 1/4W J  |       |
| J1601         | QNN0349-002     | PIN JACK        |              |       |
| J1810         | QNS0001-001     | JACK            |              |       |
| K1401         | QQR0621-002Z    | BEADS CORE      |              |       |
| K1912         | QQR0582-001Z    | BEADS CORE      |              |       |
| K1916-18      | QQR0582-001Z    | BEADS CORE      |              |       |
| K1931-33      | QQR0582-001Z    | BEADS CORE      |              |       |
| K1935         | QQR0582-001Z    | BEADS CORE      |              |       |
| K1941         | QQR0621-002Z    | BEADS CORE      |              |       |
| LC1601-03     | QQR1199-001     | FILTER          |              |       |
| △ LF1901      | QQR0527-003     | LINE FILTER     |              |       |
| △ PC1921      | TLP421F/D4-GR/  | I.C(PH.COUPLER) |              |       |
| △ RY1951      | QSK0085-001     | RELAY           |              |       |
| S1421         | QSL4A13-C02     | LEVER SWITCH    |              |       |
| SF1011        | QAX0324-002     | SAW FILTER      |              |       |
| △ TH1901      | QAD0132-3R0     | W-PTC           |              |       |
| △ TU1001      | QAU0247-001     | TUNER           |              |       |
| △ VA1901      | ERZV10V621CS    | VARIATOR        |              |       |
| W1106         | NRSA63J-0R0X    | MG R            | 0.0Ω 1/16W J |       |
| W1213         | NRSA63J-0R0X    | MG R            | 0.0Ω 1/16W J |       |
| W1265         | NRSA63J-0R0X    | MG R            | 0.0Ω 1/16W J |       |
| W1311         | NRSA63J-0R0X    | MG R            | 0.0Ω 1/16W J |       |
| W1331         | NRSA63J-0R0X    | MG R            | 0.0Ω 1/16W J |       |
| W1442-43      | NRSA63J-0R0X    | MG R            | 0.0Ω 1/16W J |       |
| W1478         | NRSA63J-0R0X    | MG R            | 0.0Ω 1/16W J |       |
| W1548-49      | NRSA63J-0R0X    | MG R            | 0.0Ω 1/16W J |       |
| W1567         | NRSA63J-0R0X    | MG R            | 0.0Ω 1/16W J |       |
| W1572         | NRSA63J-0R0X    | MG R            | 0.0Ω 1/16W J |       |
| W1579         | NRSA63J-0R0X    | MG R            | 0.0Ω 1/16W J |       |
| W1581         | NRSA63J-0R0X    | MG R            | 0.0Ω 1/16W J |       |
| W1609         | NRSA63J-0R0X    | MG R            | 0.0Ω 1/16W J |       |
| W1628         | NRSA63J-0R0X    | MG R            | 0.0Ω 1/16W J |       |
| W1636         | NRSA63J-0R0X    | MG R            | 0.0Ω 1/16W J |       |
| W1653         | NRSA63J-0R0X    | MG R            | 0.0Ω 1/16W J |       |
| W1666         | NRSA63J-0R0X    | MG R            | 0.0Ω 1/16W J |       |
| W1710         | NRSA63J-0R0X    | MG R            | 0.0Ω 1/16W J |       |
| W1716         | NRSA63J-0R0X    | MG R            | 0.0Ω 1/16W J |       |
| W1729         | NRSA63J-0R0X    | MG R            | 0.0Ω 1/16W J |       |
| W1746         | NRSA63J-0R0X    | MG R            | 0.0Ω 1/16W J |       |
| W1762         | NRSA63J-0R0X    | MG R            | 0.0Ω 1/16W J |       |
| W1764         | NRSA63J-0R0X    | MG R            | 0.0Ω 1/16W J |       |
| W1766         | NRSA63J-0R0X    | MG R            | 0.0Ω 1/16W J |       |
| W1773         | NRSA63J-0R0X    | MG R            | 0.0Ω 1/16W J |       |
| W1776         | NRSA63J-0R0X    | MG R            | 0.0Ω 1/16W J |       |
| W1795         | NRSA63J-0R0X    | MG R            | 0.0Ω 1/16W J |       |
| W1797-98      | NRSA63J-0R0X    | MG R            | 0.0Ω 1/16W J |       |
| W1804         | NRSA63J-0R0X    | MG R            | 0.0Ω 1/16W J |       |
| W1819-21      | NRSA63J-0R0X    | MG R            | 0.0Ω 1/16W J |       |
| X1201         | CE40668-001Z    | CRYSTAL         |              |       |
| X1700         | QAX0307-001     | CER.RESONATOR   |              |       |
| Y1002-04      | NRSA63J-0R0X    | MG R            | 0.0Ω 1/16W J |       |
| Y1800         | NRSA63J-0R0X    | MG R            | 0.0Ω 1/16W J |       |
| Y1903         | NRSA63J-0R0X    | MG R            | 0.0Ω 1/16W J |       |

| △ Symbol No.    | Part No.     | Part Name | Description   | Local |
|-----------------|--------------|-----------|---------------|-------|
| <b>RESISTOR</b> |              |           |               |       |
| R3354-56        | NRSA63J-221X | MG R      | 220Ω 1/16W J  |       |
| R3357-59        | NRSA63J-101X | MG R      | 100Ω 1/16W J  |       |
| R3360-62        | QRZ0111-152  | C R       | 1.5kΩ 1/2W K  |       |
| R3363-65        | QRG029J-103  | OM R      | 10kΩ 2W J     |       |
| R3366-68        | NRSA63J-182X | MG R      | 1.8kΩ 1/16W J |       |
| R3372-74        | NRSA63J-221X | MG R      | 220Ω 1/16W J  |       |
| R3375-77        | NRSA63J-0R0X | MG R      | 0.0Ω 1/16W J  |       |
| R3381           | QRE121J-394Y | C R       | 390kΩ 1/2W J  |       |
| R3391           | NRSA63J-152X | MG R      | 1.5kΩ 1/16W J |       |
| R3392           | NRSA63J-392X | MG R      | 3.9kΩ 1/16W J |       |
| R3393-95        | NRSA63J-102X | MG R      | 1kΩ 1/16W J   |       |

| △ Symbol No.     | Part No.     | Part Name | Description  | Local |
|------------------|--------------|-----------|--------------|-------|
| <b>CAPACITOR</b> |              |           |              |       |
| C3354-55         | NDC31HJ-391X | C CAP.    | 390pF 50V J  |       |
| C3356            | NDC31HJ-471X | C CAP.    | 470pF 50V J  |       |
| C3357            | QETN1CM-107Z | E CAP.    | 100μF 16V M  |       |
| △ C3382          | QCZ0121-102  | C CAP.    | 1000pF 3kV Z |       |
| C3391            | QETN1AM-227Z | E CAP.    | 220μF 10V M  |       |
| C3392            | NDC31HJ-101X | C CAP.    | 100pF 50V J  |       |

| △ Symbol No. | Part No.     | Part Name    | Description | Local |
|--------------|--------------|--------------|-------------|-------|
| <b>COIL</b>  |              |              |             |       |
| L3381        | QQL244K-101Z | PEAKING COIL | 100μH K     |       |

| △ Symbol No. | Part No.  | Part Name | Description | Local |
|--------------|-----------|-----------|-------------|-------|
| <b>DIODE</b> |           |           |             |       |
| D3391        | 1SS133-T2 | SI.DIODE  |             |       |

| △ Symbol No.      | Part No.       | Part Name     | Description | Local |
|-------------------|----------------|---------------|-------------|-------|
| <b>TRANSISTOR</b> |                |               |             |       |
| Q3351-53          | 2SC4544-LB     | SI.TRANSISTOR |             |       |
| Q3391             | 2SA933AS/QR/-T | SI.TRANSISTOR |             |       |

| △ Symbol No.  | Part No.     | Part Name  | Description  | Local |
|---------------|--------------|------------|--------------|-------|
| <b>OTHERS</b> |              |            |              |       |
| △ SK3351      | QNZ0537-001  | CRT SOCKET |              |       |
| W3002         | NRSA02J-0R0X | MG R       | 0.0Ω 1/10W J |       |

## FRONT CONTROL PW BOARD ASS'Y (SGC-8502A-M2)

Parts list is the same as for AV-32230/AG. Refer to pages 43 - 44.

## FRONT AV INPUT PW BOARD ASS'Y (SGC-8602A-M2)

Parts list is the same as for AV-32230/AG. Refer to page 44.



## PIP PW BOARD ASS'Y (SGC0P001A-M2)

| △ Symbol No.    | Part No.     | Part Name | Description   | Local |
|-----------------|--------------|-----------|---------------|-------|
| <b>RESISTOR</b> |              |           |               |       |
| R0001-02        | NRSA63J-103X | MG R      | 10kΩ 1/16W J  |       |
| R0003-04        | NRSA63J-101X | MG R      | 100Ω 1/16W J  |       |
| R0005           | NRSA63J-0R0X | MG R      | 0.0Ω 1/16W J  |       |
| R0008           | NRSA63J-820X | MG R      | 82Ω 1/16W J   |       |
| R0101           | NRSA63J-562X | MG R      | 5.6kΩ 1/16W J |       |
| R0102           | NRSA63J-182X | MG R      | 1.8kΩ 1/16W J |       |
| R0103           | QRE121J-101Y | C R       | 100Ω 1/2W J   |       |
| R0104           | NRSA63J-180X | MG R      | 18Ω 1/16W J   |       |
| R0105           | NRSA63J-270X | MG R      | 27Ω 1/16W J   |       |
| R0111           | NRSA63J-224X | MG R      | 220kΩ 1/16W J |       |
| R0113           | NRSA63J-101X | MG R      | 100Ω 1/16W J  |       |
| R0114           | NRSA63J-331X | MG R      | 330Ω 1/16W J  |       |
| R0115           | NRSA63J-101X | MG R      | 100Ω 1/16W J  |       |
| R0116           | NRSA63J-680X | MG R      | 68Ω 1/16W J   |       |
| R0117           | NRSA63J-273X | MG R      | 27kΩ 1/16W J  |       |
| R0118           | NRSA63J-223X | MG R      | 22kΩ 1/16W J  |       |
| R0120           | NRSA63J-273X | MG R      | 27kΩ 1/16W J  |       |
| R0121           | NRSA63J-103X | MG R      | 10kΩ 1/16W J  |       |
| R0131           | NRSA63J-102X | MG R      | 1kΩ 1/16W J   |       |
| R0132           | NRSA63J-331X | MG R      | 330Ω 1/16W J  |       |
| R0133           | NRSA63J-821X | MG R      | 820Ω 1/16W J  |       |
| R0134           | NRSA63J-561X | MG R      | 560Ω 1/16W J  |       |
| R0135           | NRSA63J-102X | MG R      | 1kΩ 1/16W J   |       |
| R0161           | NRSA63J-332X | MG R      | 3.3kΩ 1/16W J |       |
| R0163           | NRSA63J-223X | MG R      | 22kΩ 1/16W J  |       |
| R0171           | NRSA63J-103X | MG R      | 10kΩ 1/16W J  |       |
| R0301           | NRSA63J-473X | MG R      | 47kΩ 1/16W J  |       |
| R0303           | NRSA63J-222X | MG R      | 2.2kΩ 1/16W J |       |
| R0304           | NRSA63J-473X | MG R      | 47kΩ 1/16W J  |       |
| R0306           | NRSA63J-222X | MG R      | 2.2kΩ 1/16W J |       |
| R0307           | NRSA63J-471X | MG R      | 470Ω 1/16W J  |       |
| R0309           | NRSA63J-102X | MG R      | 1kΩ 1/16W J   |       |
| R0311           | NRSA63J-101X | MG R      | 100Ω 1/16W J  |       |
| R0313           | NRSA63J-101X | MG R      | 100Ω 1/16W J  |       |
| R0314           | NRSA63J-0R0X | MG R      | 0.0Ω 1/16W J  |       |
| R0316           | NRSA63J-331X | MG R      | 330Ω 1/16W J  |       |
| R0317           | NRSA63J-0R0X | MG R      | 0.0Ω 1/16W J  |       |
| R0331           | NRSA63J-0R0X | MG R      | 0.0Ω 1/16W J  |       |
| R0337           | NRSA63J-0R0X | MG R      | 0.0Ω 1/16W J  |       |
| R0343           | NRSA63J-0R0X | MG R      | 0.0Ω 1/16W J  |       |

**CAPACITOR**

|          |              |         |              |  |
|----------|--------------|---------|--------------|--|
| C0001    | QETN1HM-475Z | E CAP.  | 4.7μF 50V M  |  |
| C0003    | QETN1HM-106Z | E CAP.  | 10μF 50V M   |  |
| C0004    | QETN1CM-107Z | E CAP.  | 100μF 16V M  |  |
| C0006    | QETN1EM-476Z | E CAP.  | 47μF 25V M   |  |
| C0010-11 | NDC31HJ-100X | C CAP.  | 10pF 50V J   |  |
| C0101-02 | NCB31HK-103X | C CAP.  | 0.01μF 50V K |  |
| C0104-05 | NCB31HK-103X | C CAP.  | 0.01μF 50V K |  |
| C0106    | QETN1EM-476Z | E CAP.  | 47μF 25V M   |  |
| C0107    | NCB31HK-103X | C CAP.  | 0.01μF 50V K |  |
| C0113-14 | NCB31HK-103X | C CAP.  | 0.01μF 50V K |  |
| C0116    | QFV71HJ-224Z | MF CAP. | 0.22μF 50V J |  |
| C0117    | QETN1EM-476Z | E CAP.  | 47μF 25V M   |  |
| C0118    | NCB31HK-103X | C CAP.  | 0.01μF 50V K |  |
| C0119    | NDC31HJ-681X | C CAP.  | 680pF 50V J  |  |
| C0120    | QETN1HM-474Z | E CAP.  | 0.47μF 50V M |  |
| C0124    | NCB31HK-103X | C CAP.  | 0.01μF 50V K |  |
| C0131    | NCB31HK-103X | C CAP.  | 0.01μF 50V K |  |
| C0132    | NDC31HJ-181X | C CAP.  | 180pF 50V J  |  |
| C0161    | QETN1HM-106Z | E CAP.  | 10μF 50V M   |  |
| C0168    | NCB31HK-103X | C CAP.  | 0.01μF 50V K |  |
| C0301-02 | NRSA63J-0R0X | MG R    | 0.0Ω 1/16W J |  |
| C0312-13 | NDC31HJ-270X | C CAP.  | 27pF 50V J   |  |
| C0314    | QETN1HM-106Z | E CAP.  | 10μF 50V M   |  |
| C0315    | NCB31HK-103X | C CAP.  | 0.01μF 50V K |  |
| C0316-18 | NCB31EK-104X | C CAP.  | 0.1μF 25V K  |  |
| C0319    | QETN1HM-106Z | E CAP.  | 10μF 50V M   |  |
| C0320    | NCB31HK-103X | C CAP.  | 0.01μF 50V K |  |
| C0321    | QETN1HM-105Z | E CAP.  | 1μF 50V M    |  |
| C0322    | NCB31HK-103X | C CAP.  | 0.01μF 50V K |  |
| C0323    | QETN1HM-106Z | E CAP.  | 10μF 50V M   |  |
| C0324-25 | NCB31HK-103X | C CAP.  | 0.01μF 50V K |  |

| △ Symbol No.     | Part No.     | Part Name | Description  | Local |
|------------------|--------------|-----------|--------------|-------|
| <b>CAPACITOR</b> |              |           |              |       |
| C0326            | NCB31EK-104X | C CAP.    | 0.1μF 25V K  |       |
| C0327            | QETN1HM-225Z | E CAP.    | 2.2μF 50V M  |       |
| C0328            | NCB31HK-103X | C CAP.    | 0.01μF 50V K |       |
| C0329            | QETN1HM-225Z | E CAP.    | 2.2μF 50V M  |       |
| C0330            | NCB31HK-103X | C CAP.    | 0.01μF 50V K |       |
| C0331            | NCB31EK-104X | C CAP.    | 0.1μF 25V K  |       |

**TRANSFORMER**

|       |             |                 |  |  |
|-------|-------------|-----------------|--|--|
| T0111 | QQR0907-001 | I.F.TRANSFORMER |  |  |
|-------|-------------|-----------------|--|--|

**COIL**

|          |              |      |        |   |
|----------|--------------|------|--------|---|
| L0001    | QQL244K-560Z | COIL | 56μH   | K |
| L0101    | QQLZ014-R22  | COIL | 0.22μH |   |
| L0113    | QQL244K-4R7Z | COIL | 4.7μH  | K |
| L0131    | QQL244K-150Z | COIL | 15μH   | K |
| L0302-04 | QQL244J-6R8Z | COIL | 6.8μH  | J |

**DIODE**

|       |           |          |  |  |
|-------|-----------|----------|--|--|
| D0301 | 1SS133-T2 | SI.DIODE |  |  |
|-------|-----------|----------|--|--|

**TRANSISTOR**

|          |                 |               |  |  |
|----------|-----------------|---------------|--|--|
| Q0101    | 2SC5083/L-P/-T  | SI.TRANSISTOR |  |  |
| Q0131    | 2SA1037AK/QR/-X | SI.TRANSISTOR |  |  |
| Q0301-03 | 2SC2412K/QR/-X  | SI.TRANSISTOR |  |  |

**IC**

|        |            |               |  |  |
|--------|------------|---------------|--|--|
| IC0101 | M52342SP   | I.C(MONO-ANA) |  |  |
| IC0301 | SDA9389X-X | I.C(DIGI-MOS) |  |  |

**OTHERS**

|          |              |                |              |  |
|----------|--------------|----------------|--------------|--|
| CF0131   | QAX0639-001Z | CERAMIC FILTER |              |  |
| SF0101   | CE42589-201  | SAW FILTER     |              |  |
| △ TU0001 | QAU0228-001  | TUNER          |              |  |
| W0090-92 | NRSA63J-0R0X | MG R           | 0.0Ω 1/16W J |  |
| X0301    | QAX0521-001Z | CRYSTAL        |              |  |
| Y0301-02 | NRSA63J-0R0X | MG R           | 0.0Ω 1/16W J |  |
| Y0331-33 | NRSA63J-0R0X | MG R           | 0.0Ω 1/16W J |  |

## AV SELECTOR PW BOARD ASS'Y (SGC0S003A-M2)

| △ Symbol No.    | Part No.     | Part Name | Description   | Local |
|-----------------|--------------|-----------|---------------|-------|
| <b>RESISTOR</b> |              |           |               |       |
| R0081           | NRSA63J-102X | MG R      | 1kΩ 1/16W J   |       |
| R0082           | NRSA63J-682X | MG R      | 6.8kΩ 1/16W J |       |
| R0083           | NRSA63J-153X | MG R      | 15kΩ 1/16W J  |       |
| R0084           | NRSA63J-683X | MG R      | 68kΩ 1/16W J  |       |
| R0085           | NRSA63J-332X | MG R      | 3.3kΩ 1/16W J |       |
| R0086           | NRSA63J-333X | MG R      | 33kΩ 1/16W J  |       |
| R0087           | NRSA63J-153X | MG R      | 15kΩ 1/16W J  |       |
| R0088           | NRSA63J-152X | MG R      | 1.5kΩ 1/16W J |       |
| R0089           | NRSA63J-562X | MG R      | 5.6kΩ 1/16W J |       |
| R0090           | NRSA63J-563X | MG R      | 56kΩ 1/16W J  |       |
| R0210           | NRSA63J-0R0X | MG R      | 0.0Ω 1/16W J  |       |
| R0211           | NRSA63J-153X | MG R      | 15kΩ 1/16W J  |       |
| R0212           | NRSA63J-333X | MG R      | 33kΩ 1/16W J  |       |
| R0213           | NRSA63J-102X | MG R      | 1kΩ 1/16W J   |       |
| R0214           | NRSA63J-181X | MG R      | 180Ω 1/16W J  |       |
| R0215           | NRSA63J-152X | MG R      | 1.5kΩ 1/16W J |       |

| △ Symbol No.    | Part No.     | Part Name | Description   | Local |
|-----------------|--------------|-----------|---------------|-------|
| <b>RESISTOR</b> |              |           |               |       |
| R0216           | NRSA63J-182X | MG R      | 1.8kΩ 1/16W J |       |
| R0217           | NRSA63J-102X | MG R      | 1kΩ 1/16W J   |       |
| R0218           | NRSA63J-222X | MG R      | 2.2kΩ 1/16W J |       |
| R0223           | NRSA63J-0R0X | MG R      | 0.0Ω 1/16W J  |       |
| R0229           | NRSA63J-473X | MG R      | 47kΩ 1/16W J  |       |
| R0230           | NRSA63J-223X | MG R      | 22kΩ 1/16W J  |       |
| R0231           | NRSA63J-101X | MG R      | 100Ω 1/16W J  |       |
| R0232           | NRSA63J-102X | MG R      | 1kΩ 1/16W J   |       |
| R0233           | NRSA63J-272X | MG R      | 2.7kΩ 1/16W J |       |
| R0234           | NRSA63J-102X | MG R      | 1kΩ 1/16W J   |       |
| R0235-36        | NRSA63J-101X | MG R      | 100Ω 1/16W J  |       |
| R0238           | NRSA63J-822X | MG R      | 8.2kΩ 1/16W J |       |
| R0239           | NRSA63J-123X | MG R      | 12kΩ 1/16W J  |       |
| R0241           | NRSA63J-821X | MG R      | 820Ω 1/16W J  |       |
| R0242           | NRSA63J-474X | MG R      | 470kΩ 1/16W J |       |
| R0243-44        | NRSA63J-103X | MG R      | 10kΩ 1/16W J  |       |
| R0251           | NRSA63J-471X | MG R      | 470Ω 1/16W J  |       |
| R0253           | NRSA63J-681X | MG R      | 680Ω 1/16W J  |       |
| R0254-55        | NRSA63J-0R0X | MG R      | 0.0Ω 1/16W J  |       |
| R0258           | NRSA63J-101X | MG R      | 100Ω 1/16W J  |       |
| R0259           | NRSA63J-222X | MG R      | 2.2kΩ 1/16W J |       |
| R0261           | NRSA63J-101X | MG R      | 100Ω 1/16W J  |       |
| R0262           | NRSA63J-222X | MG R      | 2.2kΩ 1/16W J |       |
| R0263           | NRSA63J-471X | MG R      | 470Ω 1/16W J  |       |
| R0265           | NRSA63J-102X | MG R      | 1kΩ 1/16W J   |       |
| R0269-70        | NRSA63J-0R0X | MG R      | 0.0Ω 1/16W J  |       |
| R0331-34        | NRSA63J-101X | MG R      | 100Ω 1/16W J  |       |
| R0371-74        | NRSA63J-103X | MG R      | 10kΩ 1/16W J  |       |
| R0375-76        | NRSA63J-333X | MG R      | 33kΩ 1/16W J  |       |
| R0377-78        | NRSA63J-472X | MG R      | 4.7kΩ 1/16W J |       |
| R0381           | NRSA63J-562X | MG R      | 5.6kΩ 1/16W J |       |
| R0382           | NRSA63J-223X | MG R      | 22kΩ 1/16W J  |       |
| R0385           | NRSA63J-223X | MG R      | 22kΩ 1/16W J  |       |
| R0387           | NRSA63J-223X | MG R      | 22kΩ 1/16W J  |       |
| R0391-92        | NRSA63J-221X | MG R      | 220Ω 1/16W J  |       |
| R0393-94        | NRSA63J-823X | MG R      | 82kΩ 1/16W J  |       |
| R0395-96        | NRSA63J-221X | MG R      | 220Ω 1/16W J  |       |
| R0501           | NRSA63J-102X | MG R      | 1kΩ 1/16W J   |       |
| R0502-03        | NRSA63J-820X | MG R      | 82Ω 1/16W J   |       |
| R0504           | NRSA63J-750X | MG R      | 75Ω 1/16W J   |       |
| R0505           | NRSA63J-823X | MG R      | 82kΩ 1/16W J  |       |
| R0506           | NRSA63J-102X | MG R      | 1kΩ 1/16W J   |       |
| R0507           | NRSA63J-823X | MG R      | 82kΩ 1/16W J  |       |
| R0508           | NRSA63J-102X | MG R      | 1kΩ 1/16W J   |       |
| R0512           | NRSA63J-823X | MG R      | 82kΩ 1/16W J  |       |
| R0513           | NRSA63J-102X | MG R      | 1kΩ 1/16W J   |       |
| R0514           | NRSA63J-823X | MG R      | 82kΩ 1/16W J  |       |
| R0515           | NRSA63J-102X | MG R      | 1kΩ 1/16W J   |       |
| R0521-22        | NRSA63J-152X | MG R      | 1.5kΩ 1/16W J |       |
| R0524-25        | NRSA63J-182X | MG R      | 1.8kΩ 1/16W J |       |
| R0526           | NRSA63J-103X | MG R      | 10kΩ 1/16W J  |       |
| R0527           | NRSA63J-273X | MG R      | 27kΩ 1/16W J  |       |
| R0528           | NRSA63J-183X | MG R      | 18kΩ 1/16W J  |       |
| R0529           | NRSA63J-562X | MG R      | 5.6kΩ 1/16W J |       |
| R0542           | NRSA63J-821X | MG R      | 820Ω 1/16W J  |       |
| R0543-44        | NRSA63J-182X | MG R      | 1.8kΩ 1/16W J |       |
| R0546           | NRSA63J-273X | MG R      | 27kΩ 1/16W J  |       |
| R0547           | NRSA63J-223X | MG R      | 22kΩ 1/16W J  |       |
| R0548           | NRSA63J-222X | MG R      | 2.2kΩ 1/16W J |       |
| R0550-51        | NRSA63J-102X | MG R      | 1kΩ 1/16W J   |       |
| R0552           | NRSA63J-183X | MG R      | 18kΩ 1/16W J  |       |
| R0553           | NRSA63J-223X | MG R      | 22kΩ 1/16W J  |       |
| R0560           | NRSA63J-221X | MG R      | 220Ω 1/16W J  |       |
| R0561           | NRSA63J-222X | MG R      | 2.2kΩ 1/16W J |       |
| R0562           | NRSA63J-471X | MG R      | 470Ω 1/16W J  |       |
| R0565           | NRSA63J-223X | MG R      | 22kΩ 1/16W J  |       |
| R0566           | NRSA63J-0R0X | MG R      | 0.0Ω 1/16W J  |       |
| R0567           | NRSA63J-152X | MG R      | 1.5kΩ 1/16W J |       |
| R0568           | NRSA63J-183X | MG R      | 18kΩ 1/16W J  |       |
| R0569           | NRSA63J-103X | MG R      | 10kΩ 1/16W J  |       |
| R0570           | NRSA63J-152X | MG R      | 1.5kΩ 1/16W J |       |
| R0571           | NRSA63J-0R0X | MG R      | 0.0Ω 1/16W J  |       |

| △ Symbol No.     | Part No.     | Part Name | Description   | Local |
|------------------|--------------|-----------|---------------|-------|
| <b>RESISTOR</b>  |              |           |               |       |
| R0572            | NRSA63J-562X | MG R      | 5.6kΩ 1/16W J |       |
| R0574            | NRSA63J-471X | MG R      | 470Ω 1/16W J  |       |
| <b>CAPACITOR</b> |              |           |               |       |
| C0081            | NCB21HK-104X | C CAP.    | 0.1μF 50V K   |       |
| C0082            | QENC1HM-475Z | BP E CAP. | 4.7μF 50V M   |       |
| C0083            | QENC1HM-105Z | E CAP.    | 1μF 50V M     |       |
| C0084            | QETN1HM-225Z | E CAP.    | 2.2μF 50V M   |       |
| C0085            | NCB21HK-473X | C CAP.    | 0.047μF 50V K |       |
| C0086            | QETN1HM-474Z | E CAP.    | 0.47μF 50V M  |       |
| C0087-88         | NCB21HK-104X | C CAP.    | 0.1μF 50V K   |       |
| C0089            | QETN1HM-335Z | E CAP.    | 3.3μF 50V M   |       |
| C0090            | QETN1HM-105Z | E CAP.    | 1μF 50V M     |       |
| C0091            | QETN1HM-106Z | E CAP.    | 10μF 50V M    |       |
| C0092-93         | QETN1HM-105Z | E CAP.    | 1μF 50V M     |       |
| C0094            | QETN1HM-475Z | E CAP.    | 4.7μF 50V M   |       |
| C0095            | QETN1HM-105Z | E CAP.    | 1μF 50V M     |       |
| C0205            | QETN1HM-476Z | E CAP.    | 47μF 50V M    |       |
| C0206            | NCB31HK-103X | C CAP.    | 0.01μF 50V K  |       |
| C0211            | QETN1HM-106Z | E CAP.    | 10μF 50V M    |       |
| C0212            | NDC31HJ-101X | C CAP.    | 100pF 50V J   |       |
| C0213            | NDC31HJ-470X | C CAP.    | 47pF 50V J    |       |
| C0214            | NDC31HJ-181X | C CAP.    | 180pF 50V J   |       |
| C0215            | QETN1HM-474Z | E CAP.    | 0.47μF 50V M  |       |
| C0223            | NCB31HK-103X | C CAP.    | 0.01μF 50V K  |       |
| C0226            | NCB31HK-103X | C CAP.    | 0.01μF 50V K  |       |
| C0231-33         | QETN1HM-106Z | E CAP.    | 10μF 50V M    |       |
| C0234            | NCB31HK-103X | C CAP.    | 0.01μF 50V K  |       |
| C0235            | QETN1HM-106Z | E CAP.    | 10μF 50V M    |       |
| C0236            | NCB31HK-103X | C CAP.    | 0.01μF 50V K  |       |
| C0237            | NCB31HK-472X | C CAP.    | 4700pF 50V K  |       |
| C0238-39         | NCB31HK-103X | C CAP.    | 0.01μF 50V K  |       |
| C0241-45         | NCB31HK-103X | C CAP.    | 0.01μF 50V K  |       |
| C0246            | NDC31HJ-181X | C CAP.    | 180pF 50V J   |       |
| C0247-49         | NCB31HK-103X | C CAP.    | 0.01μF 50V K  |       |
| C0251            | QETN1HM-476Z | E CAP.    | 47μF 50V M    |       |
| C0252            | NCB31HK-103X | C CAP.    | 0.01μF 50V K  |       |
| C0253            | NRSA63J-222X | MG R      | 2.2kΩ 1/16W J |       |
| C0255            | NDC31HJ-390X | C CAP.    | 39pF 50V J    |       |
| C0261            | NRSA63J-222X | MG R      | 2.2kΩ 1/16W J |       |
| C0263            | NDC31HJ-150X | C CAP.    | 15pF 50V J    |       |
| C0331            | QETN1CM-107Z | E CAP.    | 100μF 16V M   |       |
| C0332            | NCB31HK-103X | C CAP.    | 0.01μF 50V K  |       |
| C0333            | QETN1EM-476Z | E CAP.    | 47μF 25V M    |       |
| C0334            | NCB21HK-273X | C CAP.    | 0.027μF 50V K |       |
| C0335            | QETN1HM-225Z | E CAP.    | 2.2μF 50V M   |       |
| C0336            | NCB31HK-222X | C CAP.    | 2200pF 50V K  |       |
| C0337            | NCB21HK-104X | C CAP.    | 0.1μF 50V K   |       |
| C0338            | QETN1HM-225Z | E CAP.    | 2.2μF 50V M   |       |
| C0339            | NCB31HK-222X | C CAP.    | 2200pF 50V K  |       |
| C0340            | NCB21HK-104X | C CAP.    | 0.1μF 50V K   |       |
| C0343            | QETN1HM-105Z | E CAP.    | 1μF 50V M     |       |
| C0371-72         | QENC1HM-105Z | E CAP.    | 1μF 50V M     |       |
| C0373            | QETN1EM-476Z | E CAP.    | 47μF 25V M    |       |
| C0391-92         | QETN1HM-474Z | E CAP.    | 0.47μF 50V M  |       |
| C0501-03         | QETN1HM-106Z | E CAP.    | 10μF 50V M    |       |
| C0504-05         | QETN1HM-105Z | E CAP.    | 1μF 50V M     |       |
| C0506            | QETN1EM-476Z | E CAP.    | 47μF 25V M    |       |
| C0507            | QENC1CM-106Z | E CAP.    | 10μF 16V M    |       |
| C0511            | QENC1CM-106Z | E CAP.    | 10μF 16V M    |       |
| C0512            | QETN1HM-106Z | E CAP.    | 10μF 50V M    |       |
| C0514            | QETN1HM-106Z | E CAP.    | 10μF 50V M    |       |
| C0515-16         | QETN1HM-105Z | E CAP.    | 1μF 50V M     |       |
| C0518            | NCB31HK-103X | C CAP.    | 0.01μF 50V K  |       |
| C0519            | QETN1EM-476Z | E CAP.    | 47μF 25V M    |       |
| C0520            | QETN1HM-106Z | E CAP.    | 10μF 50V M    |       |
| C0521-22         | QETN1EM-476Z | E CAP.    | 47μF 25V M    |       |
| C0526-27         | NCB31HK-103X | C CAP.    | 0.01μF 50V K  |       |
| C0528            | QETN1EM-476Z | E CAP.    | 47μF 25V M    |       |
| C0531-32         | NCB31HK-103X | C CAP.    | 0.01μF 50V K  |       |

| △ Symbol No.      | Part No.        | Part Name       | Description | Local | △ Symbol No.  | Part No.     | Part Name | Description | Local   |
|-------------------|-----------------|-----------------|-------------|-------|---------------|--------------|-----------|-------------|---------|
| <b>COIL</b>       |                 |                 |             |       | <b>OTHERS</b> |              |           |             |         |
| L0202             | QQL244K-150Z    | COIL            | 15μH        | K     | J0501         | QNZ0454-001  | PIN JACK  |             |         |
| L0211             | QQL244K-4R7Z    | COIL            | 4.7μH       | K     | J0502-03      | QNN0348-001  | PIN JACK  |             |         |
| L0242-43          | QQL244K-4R7Z    | COIL            | 4.7μH       | K     | W0060         | NRSA63J-0R0X | MG R      | 0.0Ω        | 1/16W J |
| L0261             | QQL244K-150Z    | COIL            | 15μH        | K     | W0105         | NRSA63J-0R0X | MG R      | 0.0Ω        | 1/16W J |
| <b>DIODE</b>      |                 |                 |             |       |               |              |           |             |         |
| D0391-92          | MTZJ9.1C-T2     | ZENER DIODE     |             |       | W0116         | NRSA63J-0R0X | MG R      | 0.0Ω        | 1/16W J |
| D0501-07          | MTZJ9.1C-T2     | ZENER DIODE     |             |       | W0165         | NRSA63J-0R0X | MG R      | 0.0Ω        | 1/16W J |
| D0511-16          | MTZJ9.1C-T2     | ZENER DIODE     |             |       | W0200-01      | NRSA63J-0R0X | MG R      | 0.0Ω        | 1/16W J |
| <b>TRANSISTOR</b> |                 |                 |             |       |               |              |           |             |         |
| Q0211-12          | 2SC2412K/QR/-X  | SI.TRANSISTOR   |             |       | W0254         | NRSA63J-0R0X | MG R      | 0.0Ω        | 1/16W J |
| Q0218             | 2SC2412K/QR/-X  | SI.TRANSISTOR   |             |       | W0273         | NRSA63J-0R0X | MG R      | 0.0Ω        | 1/16W J |
| Q0219             | 2SA1037AK/QR/-X | SI.TRANSISTOR   |             |       | W0275         | NRSA63J-0R0X | MG R      | 0.0Ω        | 1/16W J |
| Q0251             | 2SC2412K/QR/-X  | SI.TRANSISTOR   |             |       | W0277-78      | NRSA63J-0R0X | MG R      | 0.0Ω        | 1/16W J |
| Q0253             | 2SC2412K/QR/-X  | SI.TRANSISTOR   |             |       | W0284-86      | NRSA63J-0R0X | MG R      | 0.0Ω        | 1/16W J |
| Q0261-62          | 2SC2412K/QR/-X  | SI.TRANSISTOR   |             |       | W0290         | NRSA63J-0R0X | MG R      | 0.0Ω        | 1/16W J |
| Q0381-82          | UN2212-X        | DEGI.TRANSISTOR |             |       | W0292         | NRSA63J-0R0X | MG R      | 0.0Ω        | 1/16W J |
| Q0385             | DTC323TK-X      | DIGI.TRANSISTOR |             |       | W0302         | NRSA63J-0R0X | MG R      | 0.0Ω        | 1/16W J |
| Q0387             | DTC323TK-X      | DIGI.TRANSISTOR |             |       | W0304-06      | NRSA63J-0R0X | MG R      | 0.0Ω        | 1/16W J |
| Q0501-02          | 2SC2412K/QR/-X  | SI.TRANSISTOR   |             |       | W0309         | NRSA63J-0R0X | MG R      | 0.0Ω        | 1/16W J |
| Q0505-06          | 2SC2412K/QR/-X  | SI.TRANSISTOR   |             |       | W0316         | NRSA63J-0R0X | MG R      | 0.0Ω        | 1/16W J |
| Q0508-09          | 2SC2412K/QR/-X  | SI.TRANSISTOR   |             |       | Y0151-52      | NRSA63J-0R0X | MG R      | 0.0Ω        | 1/16W J |
| Q0510-11          | UN2212-X        | DEGI.TRANSISTOR |             |       | Y0501-04      | NRSA63J-0R0X | MG R      | 0.0Ω        | 1/16W J |
| <b>IC</b>         |                 |                 |             |       |               |              |           |             |         |
| IC0001            | UPC1851BCU      | I.C(MONO-ANA)   |             |       | Y0551-52      | NRSA63J-0R0X | MG R      | 0.0Ω        | 1/16W J |
| IC0201            | TC90A53N        | I.C(DIGI-MOS)   |             |       |               |              |           |             |         |
| IC0371            | BA15218N        | I.C(MONO-ANA)   |             |       |               |              |           |             |         |
| IC0381            | TC4066BP/N/     | I.C(DIGI-MOS)   |             |       |               |              |           |             |         |
| IC0501            | BA7644AN        | I.C(MONO-ANA)   |             |       |               |              |           |             |         |
| IC0502            | BA7612N         | I.C(MONO-ANA)   |             |       |               |              |           |             |         |
| IC0504            | TC4066BP/N/     | I.C(DIGI-MOS)   |             |       |               |              |           |             |         |

## REMOTE CONTROL UNIT PARTS LIST (RM-C305-1A)

| △ Ref.No. | Part No.    | Part Name     | Description | Local |
|-----------|-------------|---------------|-------------|-------|
|           | UR52EC1286A | BATTERY COVER |             |       |

## DIFFERENCE PARTS LIST BETWEEN AV-32260/AH, AV-32260/AG, AV-32260/AM AND AV-32260/AR

The picture tubes used for the models AV-32260/AH, AV-32260/AG, AV-32260/AM and AV-32260/AR are difference. The electrical parts are also difference according to the PICTURE TUBE.

In the DIFFERENCE PARTS LIST BETWEEN AV-32260/AH, AV-32260/AG, AV-32260/AM and AV-32260/AR, only difference points between these models are written. For other parts not mentioned in the list, please refer to the PARTS LIST(P47 – P53) for the AV-32260/AH.

## DIFFERENCE PARTS LIST

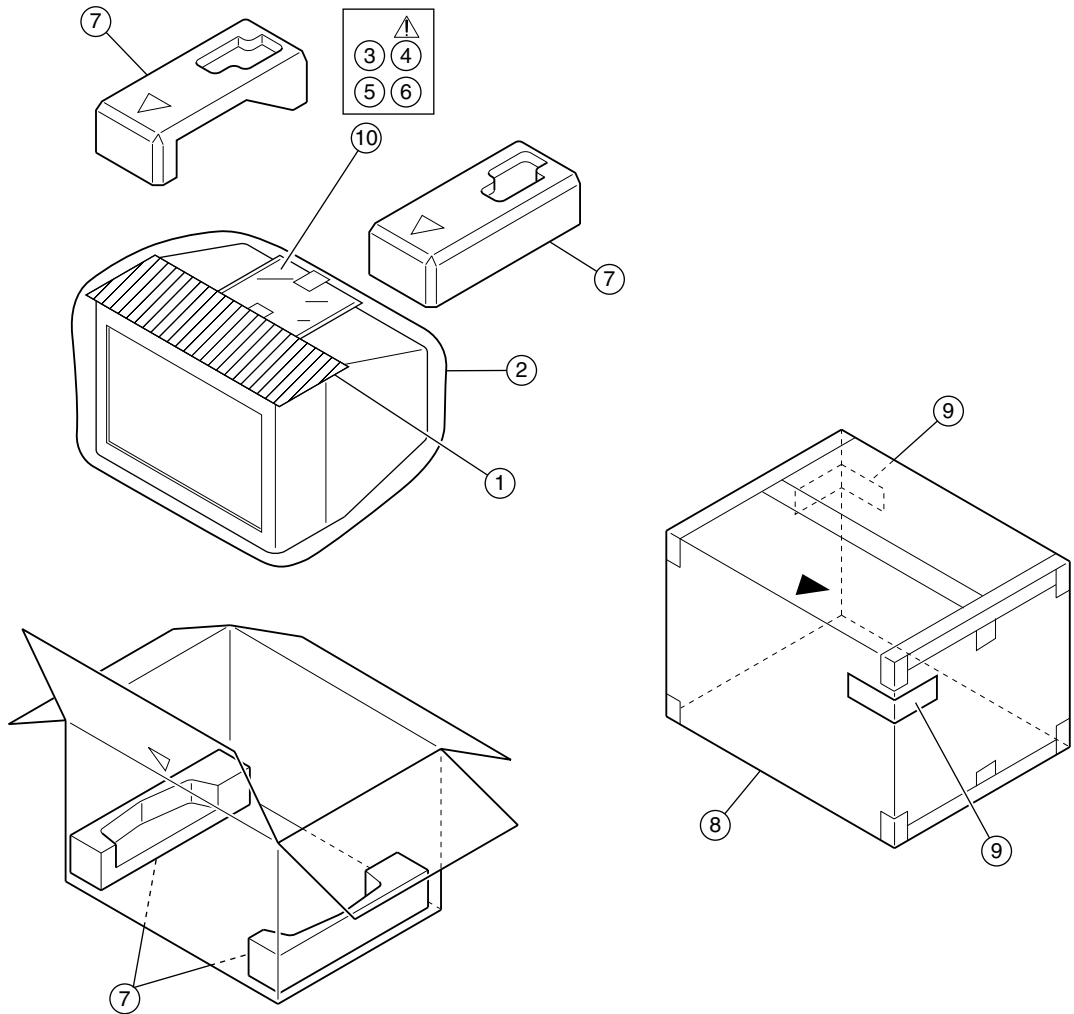
### MAIN PWB

| △ | Symbol No. | Part No.                             |                                      |                                      |                                  | Part Name       |
|---|------------|--------------------------------------|--------------------------------------|--------------------------------------|----------------------------------|-----------------|
|   |            | AV-32260/AH                          | AV-32260/AG                          | AV-32260/AM                          | AV-32260/AR                      |                 |
|   |            | <b>SGC-1022A-M2</b>                  | <b>SGC-1021A-M2</b>                  | <b>SGC-1024A-M2</b>                  | <b>SGC-1023A-M2</b>              | <b>MAIN PWB</b> |
|   | R1434      | QRL029J-181<br>(180Ω, 2W, J)         | ←                                    | QRL029J-221<br>(220Ω, 2W, J)         | QRL029J-181<br>(180Ω, 2W, J)     | OM R            |
|   | R1504      | QRL039J-102<br>(1kΩ, 3W, J)          | ←                                    | ←                                    | QRL039J-152<br>(1.5kΩ, 3W, J)    | OM R            |
|   | R1505      | QRL039J-102<br>(1kΩ, 3W, J)          | QRL039J-821<br>(820Ω, 3W, J)         | QRL039J-102<br>(1kΩ, 3W, J)          | QRL039J-152<br>(1.5kΩ, 3W, J)    | OM R            |
|   | R1545      | QRE121J-822Y<br>(8.2kΩ, 1/2W, J)     | ←                                    | QRE121J-153Y<br>(1.5kΩ, 1/2W, J)     | QRE121J-822Y<br>(8.2kΩ, 1/2W, J) | C R             |
|   | R1553      | QRL039J-180<br>(18Ω, 3W, J)          | ←                                    | QRL039J-100<br>(10Ω, 3W, J)          | QRL039J-180<br>(18Ω, 3W, J)      | OM R            |
| △ | C1510      | QFZ0196-532<br>(5300pF, 1.5kVH, ±3%) | QFZ0196-602<br>(6000pF, 1.5kVH, ±3%) | QFZ0196-532<br>(5300pF, 1.5kVH, ±3%) | ←                                | MPP CAP.        |
| △ | C1515      | QFZ0197-564<br>(0.56μF, 250V, J)     | QFZ0197-754<br>(0.75μF, 250V, J)     | QFZ0197-564<br>(0.56μF, 250V, J)     | ←                                | MPP CAP.        |
| △ | L1511      | QQR1027-003                          | ←                                    | ←                                    | CE41029-00A                      | LINE FILTER     |
| △ | L1521      | QQLZ018-560<br>(56μH)                | ←                                    | QQLZ026-640<br>(64μH)                | QQLZ026-540<br>(54μH)            | HEATER CHOKE    |

### CRT SOCKET PWB

| △ | Symbol No. | Part No.            |                     |                     |                     | Part Name             |
|---|------------|---------------------|---------------------|---------------------|---------------------|-----------------------|
|   |            | AV-32260/AH         | AV-32260/AG         | AV-32260/AM         | AV-32260/AR         |                       |
|   |            | <b>SGC-3004A-M2</b> | <b>SGC-3003A-M2</b> | <b>SGC-3005A-M2</b> | <b>SGC-3011A-M2</b> | <b>CRT SOCKET PWB</b> |

# PACKING



## PACKING PARTS LIST

| △ Ref.No. | Part No.       | Part Name     | Description                            | Local |
|-----------|----------------|---------------|--|-------|
| 1         | CP30055-A02-A  | TOP COVER     |  |       |
| 2         | CP30056-004-A  | POLY BAG      |  |       |
| 3         | RM-C306-1A     | RC HAND UNIT  | (AV-32230)                             |       |
| 3         | RM-C305-1A     | RC HAND UNIT  | (AV-32260)                             |       |
| △ 4       | LCT0951-001B-A | INST BOOK     |  |       |
| 5         | BT-51028-1Q    | REGIST CARD   | (AV-32230 /AM, AV-32260 /AG & AH & AR) |       |
| 5         | BT-51020-1Q    | REGIST CARD   | (AV-32230 /AG & AH & AR, AV-32260 /AM) |       |
| 6         | BT-52004-1Q    | WARRANTY CARD |  |       |
| 7         | LC10176-002B-A | CUSHION ASSY  | 4pcs in 1set                           |       |
| 8         | LC10181-022A-A | PACKING CASE  |  |       |
| 9         | CM36616-001-A  | CORNER LABEL  | 2pcs in 1set                           |       |
| 10        | QPA02503505    | POLY BAG      |  |       |